

PROCEDURE



Market Manual 3: Metering

Part 3.7: Totalization Table Registration

Issue 20.0

This procedure describes the process through which *metering service providers* submit Totalization Tables and approve the tables entered by the *IESO* in the *metering registry*.

Disclaimer

The posting of documents on this Web site is done for the convenience of *market participants* and other interested visitors to the *IESO* Web site. Please be advised that, while the *IESO* attempts to have all posted documents conform to the original, changes can result from the original, including changes resulting from the programs used to format the documents for posting on the Web site as well as from the programs used by the viewer to download and read the documents. The *IESO* makes no representation or warranty, express or implied, that the documents on this Web site are exact reproductions of the original documents listed. In addition, the documents and information posted on this Web site are subject to change. The *IESO* may revise, withdraw or make final these materials at any time at its sole discretion without further notice. It is solely your responsibility to ensure that you are using up-to-date documents and information.

This *market manual* may contain a summary of a particular *market rule*. Where provided, the summary has been used because of the length of the *market rule* itself. The reader should be aware, however, that where a *market rule* is applicable, the obligation that needs to be met is as stated in the *market rules*. To the extent of any discrepancy or inconsistency between the provisions of a particular *market rule* and the summary, the provision of the *market rule* shall govern.

Document ID	IMP_PRO_0047
Document Name	Part 3.7: Totalization Table Registration
Issue	Issue 20.0
Reason for Issue	Release for Baseline 40.0
Effective Date	September 12, 2018

Document Change History

Issue	Reason for Issue	Date
For review history prior to September 12, 2012, please refer to version 16.0 and prior		
17.0	Updated for Baseline 28.0	September 12, 2012
18.0	Issue Released for Baseline 33.1	June 3, 2015
19.0	Updated for Baseline 37.1	June 7, 2017
20.0	Updated for Baseline 40.0	September 12, 2018

Related Documents

Document ID	Document Title
MDP_PRO_0013	Market Manual 3: Metering, Part 3.2: Meter Point Registration and Maintenance
MDP_MAN_0003	Market Manual 3: Metering, Part 3.0: Metering Overview
MDP_PRO_0010	Market Manual 3: Metering, Part 3.4: Measurement Error Correction
MDP_PRO_0011	Market Manual 3: Metering, Part 3.5: Site Specific Loss Adjustments
MDP_PRO_0012	Market Manual 3: Metering, Part 3.6: Conceptual Drawing Review
IMP_PRO_0057	Market Manual 3: Metering, Part 3.8 Creating and Maintaining Delivery Point Relationships
MDP_STD_0004	Wholesale Revenue Metering Standard - Hardware
MDP_STD_0005	Site-Specific Loss Adjustments Standard

Table of Contents

Table of Contents	i
List of Figures	iii
List of Tables	iii
Table of Changes	iv
Market Manuals	1
Market Procedures	1
1. Introduction	2
1.1 Purpose.....	2
1.2 Scope.....	2
1.3 Overview	2
1.4 Who Should Use This Document.....	2
1.5 Roles and Responsibilities.....	2
1.6 Contact Information	3
2. Procedure Overview	4
2.1 General Outline	4
2.2 Important Terms	4
2.2.1 Delivery Point.....	4
2.2.2 Meter Point ID.....	5
2.2.3 Summary Meter	5
2.2.4 Measurement Error Correction (MEC) Factors	5
2.2.5 Site-Specific Loss Adjustment (SSLA).....	5
2.2.6 Total Loss Factors (TLFs)	5
2.2.7 Totalization Table Notes	5
2.3 Guidelines for Preparing Totalization Tables	6
2.3.1 Estimated Station Services	6
2.3.2 Estimated Station Services Using Retail Meters.....	7
2.3.3 Apportioning Station Service Consumption	7
2.3.4 Apportioning Transformation Losses.....	8
2.3.4.1 Fixed Factor Loss Allocation	8
2.3.4.2 Dynamic Loss Allocation	9
2.3.5 Transmission Tariffs (TT) Customers	10
2.3.6 Compliance Aggregation.....	10
2.3.7 Meter Disaggregation.....	12

2.4	Applications Associated with the Creation of Totalization Table	13
2.4.1	Customer Data Management System (CDMS).....	13
2.4.2	Meter Data Acquisition System (MDAS).....	14
2.4.3	Meter Data Management System (MDMS)	14
2.4.4	MDM-Meter Data Reports	14
2.4.5	Commercial Reconciliation.....	14
2.5	Supporting Documentation	14
2.5.1	Submitting the Information	14
2.5.2	Confirming Correctness of the Totalization Tables	15
2.6	Maintaining Totalization Tables	15
2.7	Site Registration Report	15
3.	Procedural Work Flow	18
	Appendix A: Forms	A-1
	Appendix B: Guidelines for Completing the Totalization Table Form	B-1
	Appendix C: Example of Totalization	C-1
	Appendix D: Metering - Settlement Principles.....	D-1
	Appendix E: Example of a Site Registration Report (SRR)	E-1
	Appendix F: Example of a Compliance Aggregation Model.....	F-1
	Appendix G: Example of a Meter Disaggregation Model	G-1
	Appendix H: Loss Dynamic Allocation - models and totalization tables	H-1
	References.....	1

List of Figures

Figure 3–1: Work flow for Totalization Table Registration.....	19
Figure 3–1: Work Flow for Totalization Table Registration (continued).....	20
Figure C–1: Single Line Diagram for Pine TS T5/T6.....	C–1

List of Tables

Table 3–1: Legend for Procedural Work Flow Diagrams	18
Table C–1: Totalization Table Form	C–2
Table C–1: Totalization Table Form (continued).....	C–3
Table C–1: Totalization Table Form (continued).....	C–4

Table of Changes

Reference (Section and Paragraph)	Description of Change
Section 1.5	Added certain roles and responsibilities of the <i>market participant</i> responsible for registering a <i>facility</i> consuming <i>connection station service</i> – aligns with amendments to section 2.1A of Chapter 9 of the <i>market rules</i> .
Section 2.3.1	Replaced the <i>metering service provider</i> with <i>market participant</i> responsible for registering a <i>facility</i> consuming <i>connection station service</i> as being responsible for submitting the station service factor using FORM-78 instead of Online IESO – aligns with amendments to section 2.1A of Chapter 9 of the <i>market rules</i> .
Section 2.3.2	Replaced the <i>metering service provider</i> with <i>market participant</i> responsible for registering a <i>facility</i> consuming <i>connection station service</i> with regard to estimating the <i>station service</i> factor and submitting it using FORM-78 instead of Online IESO – aligns with amendments to section 2.1A of Chapter 9 of the <i>market rules</i> .

Market Manuals

The *market manuals* consolidate market procedures and associated forms, standards and policies that define certain elements relating to the operation of the *IESO-administered markets*. Market procedures provide more detailed descriptions of the requirements for various activities than is specified in the *market rules*. Where there is a discrepancy between the requirements in a document within a *market manual* and the *market rules*, the *market rules* must prevail. Standards and policies appended to, or referenced in, these procedures provide a supporting framework.

Market Procedures

The “Metering Manual” is Volume 3 of the *market manuals*, and this document is “Part 3.7: Totalization Table Registration”.

A list of the other component parts of the *metering manual* is provided in “Part 3.0: Metering Overview”, in Section 2, “About This Manual”.

Structure of Market Procedures

Each market procedure is composed of the following sections:

1. **“Introduction”**, which contains general information about the procedure, including an overview, a description of the purpose and scope of the procedure, and information about roles and responsibilities of the parties involved in the procedure.
2. **“Procedural Work Flow”**, which contains a graphical representation of the steps and flow of information within the procedure.
3. **“Procedural Steps”**, which contains a table that describes each step and provides other detail related to each step.
4. **“Appendices”**, which may include such items as forms, standards, policies and agreements.

Conventions

The *market manual* standard conventions are as defined in the “Market Manual Overview” document.

- End of Section –

1. Introduction

1.1 Purpose

This procedure explains how to register totalization tables with the *IESO*.

1.2 Scope

This procedure covers the steps for totalization table registration, which is part of the registration process for *metering installations*. Other procedures in “Market Manual 3: Metering” may need to be performed before, after or in parallel to the steps in this procedure, depending on the activity that is being performed:

1. “Part 3.8: Creating and Maintaining Delivery Point Relationships” describes how the *IESO* creates *delivery points* for both *energy market* and *transmission tariffs* customers. *Delivery points* must be set up by the *IESO* before *meter point* registration can begin. Additional details regarding the creation of *delivery points* for the *energy market* are given in *IESO’s* “Market Manual 1: Market Entry, Maintenance and Exit, Part 1.2: Facility Registration, Maintenance and De-registration”
2. “Part 3.2: Meter Point Registration and Maintenance”. *Meter point* registration during which the *metering installation* is assessed technically and, once approved by the *IESO*, entered into the *IESO metering registry*.

1.3 Overview

A complete overview of the steps in this document appears in Section 2.

1.4 Who Should Use This Document

Transmitters, metering service providers, and metered market participants should use this procedure to register a totalization table with the *IESO*.

1.5 Roles and Responsibilities

The roles and responsibilities, with regard to the tasks associated with the current procedure, of the *market participant* responsible for registering a *facility* consuming *connection station service, metered market participant, metering service provider, transmitter, and the IESO*, are as follows:

The **market participant responsible for registering a facility consuming connection station service energy** is responsible for:

- Submitting an estimate for *energy* consumption associated with *connection station service* to the *IESO*, which shall be stamped by a registered professional engineer and shall be subject to audit by the *IESO*.

The **metered market participant** is responsible for:

- for a *transmission tariffs delivery point* (MMPT) feeding an *embedded generator(s)* built after 1998 that does not participate in the *energy market*, ensuring that the relevant *meter(s)* to be used for *transmission tariffs* only, are registered with the *IESO*.

The **metering service provider** is responsible for:

- submitting totalization tables associated with each *delivery point* associated with a specific *metered market participant*;
- when submitting a new totalization table, identifying all other totalization tables that are affected and communicating with the relevant *metering service providers* to ensure these totalization tables are also re-submitted;
- re-submitting totalization tables, as appropriate; and
- approving the “Site Registration Report” produced by the *IESO*, thus confirming that the totalization table has been correctly entered into the *IESO meter* registry.

The **transmitter** is responsible for:

- verifying the totalization tables submitted by the *metering service provider* for reasonableness and completeness;
- approving the “Site Registration Report” produced by the *IESO*, thus confirming that the totalization table has been correctly entered into the *IESO meter* registry.

The **IESO** is responsible for:

- processing and entering the totalization table into the Meter Data Management System (MDMS) (the *metering registry*); and
- generating the “Site Registration Report” for the relevant *delivery point* on which the *metering service provider* will acknowledge correctness.

1.6 Contact Information

If the market participant wishes to contact the IESO, the market participant can contact the IESO Customer Relations via email at customer.relations@ieso.ca or via telephone, mail or courier to the numbers and addresses provided on the IESO Web site (<https://www.ieso.ca>). If the IESO Customer Relations is closed, telephone messages or emails can be left in relevant voice or electronic IESO mail boxes, which will be answered as soon as possible by Customer Relations staff.

Standard forms that participants must complete for this procedure are listed in Appendix A. These forms are generally available for downloading on the *IESO* Web site.

The Totalization Table Forms must be submitted to the *IESO* using Online *IESO* (<https://online.ieso.ca>).

– End of Section –

2. Procedure Overview

2.1 General Outline

The totalization table algebraically maps *meter point* IDs to a *delivery point*. The totalization table also identifies any measurement error correction factors, site specific losses, *station service* load and, if applicable, total loss factors to be applied to *meter* readings at each *meter point*. The *IESO* uses this data, adjusted and summated at the *delivery point*, to:

- settle *metered market participant* transactions in the wholesale *energy market*; and/or
- calculate transmission charges for *transmission tariffs* customers (see also Section 2.3.4 in this manual).

At this time, *metering service providers* are required to supply the information set-out in Appendix B. The *IESO* will further process this information to create the required summary *meters* and enter them into the *meter* registry.

This approach will change for the enduring stage when, on registering a new *meter point* ID, the *metering service provider* must submit a complete totalization table for that *delivery point*. On submitting a new totalization table, an embedded metering service provider must also identify all other totalization tables that are affected and prompt the relevant *metered market participant(s)* to re-submit them. In this document, the term “embedded metering service provider/metered market participant” means those connected to a bus, the *meter* of which is serviced/owned by another *metering service provider/metered market participant*.

The *IESO* uses two types of totalization tables:

1. totalization tables for *energy market delivery points* (EM DP); and
2. totalization tables for *transmission tariffs delivery points* (TT DP) (see Section 2.3.4 in this manual), which are further divided into the following types:
 - totalization tables for Network DPs; and
 - totalization tables for Connection DPs.

Multi-level totalization tables, such as the ones for *facilities* equipped with both bus and feeder metering, and where one or more feeders also supply embedded loads, must be built in the following order:

1. embedded;
2. feeders; and
3. bus.

2.2 Important Terms

2.2.1 Delivery Point

The *delivery point* is the logical reference point for *settlements* in the wholesale *energy market*, and for the *transmission tariffs* market. Totalization tables submitted during MI registration are always associated with a *delivery point*. Separate *delivery points* are created for *transmission tariffs* customers, as described in “Part 3.8: Creating and Maintaining Delivery Point Relationships”.

2.2.2 Meter Point ID

The *meter point* ID identifies the physical location of the *metering installation* with a unique numerical code. During the registration procedures, the *IESO* assigns the *meter point* ID(s) to the *metering service provider*.

Separate *meter point* IDs are created for the main and the alternate (or *check*) *meter* pertaining to the same installation. However, only main or stand-alone *meters* are considered for totalization.

2.2.3 Summary Meter

A summary *meter* is a virtual *meter* created as part of the totalization process. The summary *meter* is a mathematical tool that can summate readings from various *meters* and apply losses, error correction factors, and/or scaling factors to these readings in order to enable the *settlement* at the associated *delivery point*. There are three main scenarios in which summary *meters* are required to be created, as listed below:

1. Recorders that include two or more metering channels that measure active *energy* flow (kWh) in the same direction. Such situations require the creation of separate summary (virtual) *meters* for each metering element involved.
2. Totalization table. In most of the cases, the totalization table is a summary *meter* that considers various physical and/or summary *meters* with MECs, loss factors, and scaling, all applied at different levels (physical *meter* and/or summary *meter*).
3. Summary *meters* associated with an *energy market* DP that are used as contributors for totalization tables associated with a TT DP.

2.2.4 Measurement Error Correction (MEC) Factors

MEC factors are calculated in accordance with the process set out in “Part 3.4: Measurement Error Correction”. Although these factors generally apply to a physical *meter*, they can also apply to a summary *meter*. MEC factors must be entered in the totalization table as the calculated MEC factor minus one. Thus, for a calculated MEC factor of 1.005, a value of 0.005 must be entered in the totalization table; a calculated MEC factor of 0.995 must be entered as “-0.005”.

2.2.5 Site-Specific Loss Adjustment (SSLA)

SSLA factors are calculated in accordance with the process set out in “Part 3.5: Site Specific Loss Adjustment”. SSLA factors take into account transformation losses. Similar to MEC factors, SSLA factors can be applied to a physical *meter* or to a summary *meter*, as appropriate.

2.2.6 Total Loss Factors (TLFs)

TLFs take into account distribution losses for *embedded RWMs* to the *defined meter point*. A TLF, as approved by the *Ontario Energy Board (OEB)* and communicated by the relevant Local Distribution Company (LDC), can be applied to a physical *meter* or to a summary *meter*, as appropriate. The *IESO* will apply the TLF (the value of which will be as approved by the *OEB*) only to the delivered channel of the *meter*. For the received channel, if the value of the TLF has not been agreed upon by the participants (host and embedded), a default value of one (1) will be applied to the received channel.

2.2.7 Totalization Table Notes

Metering service providers may utilize the notes section of the Totalization Table to clarify instructions to the *IESO* on how a *facility* should be settled.

Totalization Table Notes may include, but are not limited to, the following items:

- applying losses to a *physical meter* or a *summary meter*;
- apportioning *station service* losses between *metered market participants*;
- changes to a MEC, SSLA, or TLF.

2.3 Guidelines for Preparing Totalization Tables

2.3.1 Estimated Station Services

Non-Metered Station Services

The *market participant* responsible for registering a *facility* consuming *connection station service* must submit, when applicable, the *station service* factor in kW (Chapter 9, Section 2.1A of the *market rules*). This factor is submitted using FORM-78 titled, “Connection Facility Station Service – Not Metered by an RWM” by registering a virtual meter. FORM 78 must be stamped and signed by a registered professional engineer (Professional Engineers of Ontario (PEO)). This value is entered on IMO-FORM-1310 “Totalization Table Form” for submission to the IESO. When processing IMO-FORM-1310 in MDMS, the IESO creates a virtual meter, with a constant, 5-minute interval value representing the *station service* factor.

The following assumptions shall be used in determining the *station service* factor:

- secondary estimated load will be calculated as the sum of the rated value of all connected loads of the equipment in-use at the station, in kW;
- if the percentage usage of the estimated load cannot be determined, the default value to be considered in calculation must be 75%;
- the *station service* load will be calculated up to the *Defined Meter Point* (DMP) as 2.0% higher than usage of the secondary estimated load; and
- the value of the *station service* factor shall be rounded to the nearest kW;
- annual checks must be performed to confirm estimate is still valid.

An example of such calculation is given below:

Total secondary connected load	27.7 kW
Usage of total secondary connected load (75%)	20.77 kW
Total primary estimated load	21.18 kW
Station Service Factor	21 kW

2.3.2 Estimated Station Services Using Retail Meters

The *market participant* responsible for registering a *facility* consuming *connection station service* can determine the *station service* factors by using a Measurement Canada approved and sealed *retail meter* to estimate the load.

The main items to consider when using *retail meters* are:

- the estimate must be based on annual consumption determined from the *meter* readings of the *retail meter*;
- the estimate must take into account losses between the location of the *retail meter* to the *Defined Meter Point* (DMP); 1% losses for each level of transformation is acceptable;
- the value of the *station service* factor should be rounded to the nearest kW; and
- annual readings of the *retail meter* must be recorded to confirm estimate is still valid; if the results are different, an updated estimate must be submitted and registered.

The *station service* factor is submitted using FORM-78. Refer to Section 2.3.1.

2.3.3 Apportioning Station Service Consumption

The consumption (either metered or non-metered) of *station service* transformers fed from the bus connected directly to the *IESO-controlled grid* must be allocated (excluding an *embedded load facility* or *embedded generation facility*) among all *metered market participants* associated with that *defined meter point*, based on an agreement among all affected *metered market participants*. The *IESO* enters this allocation as submitted by the relevant *metering service providers* via the “Totalization Table Form”.

Metering service providers can update allocations for *station service* consumption no more than once in each calendar year, or more frequently if required by the registration of a new *RWM*.

Should one or more of such *metered market participants* fail to agree on the apportionment, the *metering service provider* must use the following methods for apportioning *station service* consumption:

- the whole (100%) consumption will be allocated to the *metered market participant* associated with the *RWM* that includes that consumption; that is, the *RWM* that measures the bus; or
- when there is no bus *RWM*, the *IESO* allocates the *station service* consumption proportionally, based on the number of feeders pertaining to each *metered market participant*. Thus, a *metered market participant* with three feeders connected to a bus with a total of ten feeders must be assigned three tenths of the *station service* consumption. In such cases, the *metering service provider* must enter in the totalization tables the appropriate coefficients while also providing the ratio of breakers used in the calculation.

Any disagreement with regard to the allocation of *station service* consumption must be resolved among the affected parties; if necessary, the issue may be resolved through Dispute Resolution, as described in “Market Manual 2: Market Administration, Part 2.1: Dispute Resolution”.

2.3.4 Apportioning Transformation Losses

The transformation losses and/or radial line losses associated with the common power component (i.e. power transformer or radial line) at the *defined meter point* must be allocated among all *metered market participants* pertaining to that *defined meter point*, based on an agreement among all affected *metered market participants*. The *metering service provider* must submit this allocation on the “Totalization Table Form”.

Metering service providers can update allocations for transformation losses and/or radial line losses no more than once in each calendar year, or more frequently if required by the registration of a new *RWM*.

Should one or more of such *metered market participants* fail to agree on the apportionment, the following methods for allocating transformation losses must be used:

- the full amount (100%) of transformation losses and/or radial line losses will be allocated to the *metered market participant* associated with the *RWM* that measures the bus; or
- when there is no bus *RWM*, the *IESO* will allocate the transformation losses and/or radial line losses proportionally, based on the number of feeders pertaining to each *metered market participant*. Thus, for a *metered market participant* that is associated with three feeders in a station with a total of ten feeders, the loss coefficients, originally calculated by using one of the two acceptable methods, must be adjusted as follows:
 - Method #1: coefficient “a” must be multiplied by the ratio of breakers, 3/10, while coefficient “b” must be multiplied by the inverse ratio, 10/3;
 - Method #2: coefficient “k₁” must be multiplied by the inverse ratio of breakers, 10/3, while coefficient “k₃” must be multiplied by the ratio, 3/10; coefficient “k₂” remains unchanged.

Regardless of the method used, the *metering service provider* must submit the coefficients already adjusted. The *metering service provider* must also provide the ratio of feeders pertaining to the *metered market participant* associated with the current *delivery point* versus the total number of feeders on the bus.

All *metered market participants* sharing transformation losses and/or radial line losses must agree to the apportionment of transformation losses and/or radial line losses. Where an agreement is reached amongst *metered market participants*, the Method #1 or Method #2 coefficients can be apportioned as per the agreement by either fixed factor loss allocation or dynamic loss allocation as described in the following sections.

2.3.4.1 Fixed Factor Loss Allocation

The fixed factor loss allocation ratio for load losses could be different than the fixed factor loss allocation ratio for no load losses. The agreed amounts shall meet Chapter 9, Section 2.1A.4.2a of the *market rules* whereby the proportions provided by each *metering service provider* shall reflect agreement amongst all applicable *metering service providers* and shall only be accepted by the *IESO* if the proportions provided by all applicable *metering service providers* sum to one.

2.3.4.2 Dynamic Loss Allocation

Dynamic loss allocation is the principle whereby transformation losses and/or radial line losses are apportioned to each *metered market participant* proportionally by applying an apportionment factor. This apportionment factor is based on the ratio of each *metered market participant's* metered consumption to the sum total of consumption by all *metered market participants* sharing the transformation losses and/or radial line losses for the *metered interval*. The greater a *metered market participant's* load for a *metered interval*, the greater the proportion of transformation losses and/or radial line losses that will be attributed to that *metered market participant*.

Metered market participants may agree to allocate transformation load losses and/or radial line load losses via dynamic loss allocation, while at the same time allocating the transformation no load losses and/or radial line no load losses via a fixed factor loss allocation.

The allocation ratio for each *metered market participant* is calculated as the ratio of the net active energy pertaining to that specific *metered market participant* to the sum of net active energy of all *metered market participants* sharing the transformation losses and/or radial line losses. These ratios are calculated for each *metering interval*.

$$\text{ratio}_{\text{MMPi}} = \frac{\text{Abs}(\sum \text{Active Energy Delivered}_{\text{MMPi}} - \sum \text{Active Energy Received}_{\text{MMPi}})}{\sum_i^n \text{Abs}(\sum \text{Active Energy Delivered}_{\text{MMPi}} - \sum \text{Active Energy Received}_{\text{MMPi}})}$$

If the sum of net active energy of all *metered market participants* sharing the transformation losses and/or radial line losses is zero, the transformation load losses and/or radial line losses will be allocated equally amongst the *metered market participants*.

$$\text{ratio}_{\text{MMPi}} = \frac{1}{\sum_i^n \text{MMPi}}$$

The allocation ratios will be calculated by the MDMS system using a 'ratio point' as part of the totalization table. A ratio point (RP) accepts as inputs the same type of units of measure (kWh, V2h, etc.) in all channels and returns as a result the ratio between the input channel value and the sum of all input channels values. If the sum of all input channels value is zero, the result is 1/number of channels. The 'ratio point' is calculated by comparing the individual *meter* input to the total *meter* inputs for the transformation losses and/or radial losses.

$$\text{RP}_{\text{out}i} = \frac{|\text{RP}_{\text{in}i}|}{\sum_1^n |\text{RP}_{\text{in}i}|}$$

Dynamic loss allocation requires an agreement between all *metered market participants* sharing the transformation losses and/or radial line losses. *Metering data* will be available to all *metered market participants* sharing transformation losses and/or radial line losses. The totalization table submitted by each *metered market participant's* *metering service provider* will be considered an agreement if each of the totalization tables are consistent and in agreement with one another.

All *metered market participants* connected to the common power system component (i.e. transformer and/or radial line) and using dynamic loss allocation must be directly connected *metered market participants*.

Samples of dynamic loss allocation models and totalization tables are presented in Appendix H.

2.3.5 Transmission Tariffs (TT) Customers

As established by the *OEB* rate order, the *transmitter* provides the *IESO* with a list of *transmission customers*, identifying the *transmission service* that applies to each: *network service*, *line connection service*, *transformation connection charge*. (Chapter 9, Section 4.1 and Chapter 10, Sections 3.1.3, 5.1.3 and 6.1.3 of the *market rules*)

Separate *delivery points* are created for *network service* and for *connection service* respectively, and totalization tables must be submitted for each. The *connection service delivery point* is used to bill either the *line connection* or transformation connection, or both, depending on the *transmitter's* submission. This is set by the *IESO* in the Customer Data Management System (CDMS).

The rate to be charged for each service is established by an *OEB* rate order. (Chapter 10, Sections 3.4.1, 5.1.1 and 6.1.1 of the *market rules*)

2.3.6 Compliance Aggregation

Market participants may apply to aggregate *facilities* for bidding purposes. (Details of the Compliance Aggregation Program can be found in “Market Manual 1: Market Entry, Maintenance and Exit, Part 1.2: Facility Registration, Maintenance and De-Registration” and “Market Manual 4: Market Operations, Part 4.3: Real-Time Scheduling of the Physical Markets.”) If the request for aggregation is approved, the *market participant* may elect to implement the Compliance Aggregation Model.

Compliance aggregation is the functionality within MDMS which permits measured generation from multiple *facilities* to be aggregated and then apportioned to the *delivery points* associated with the Compliance Aggregation Model. The apportionment is performed by applying a proportionality factor based on *dispatch instructions* to the aggregation summary meter.

The Compliance Aggregation Model consists of the following elements:

Schedule Set

- The schedule set identifies the Shared Meter MSID and Delivery Point ID's associated with the Compliance Aggregation Model.
- Only one *delivery point* may be considered “Primary” (indicated by a ‘Y’ in the Primary column of the schedule set). The *delivery point* set to “Primary” permits full access to all underlying data of the *delivery point*. A *delivery point* set to ‘N’ in the “Primary” column of the schedule set permits access to only the calculated values at the *delivery point*.

Shared Meter MSID

- The Shared Meter MSID is the summary meter that is used to aggregate the generation output from all *facilities* associated with the Compliance Aggregation Model.

SS_SP Meter Point

- The *SS_SP Meter Point* is a notional *meter point* that is automatically created when the schedule set is defined in MDMS. A *SS_SP meter point* is associated with each *delivery point* and the data contained in the *SS_SP meter point* is a proportionality factor based on the *dispatch instruction* of the individual *facility*. The proportionality factor is calculated by comparing the individual *energy Real Time Constrained Schedule (RTCS)* for each disaggregated *delivery point* to the total RTCS for the schedule set group. The proportionality factor is recorded for each 5 minute interval and is represented as a decimal percentage value. When the total RTCS is zero, the proportionality factor is distributed equally among all *SS_SP Meter Points* associated with the schedule set. The sum of each interval of all *SS_SP Meter Points* associated with the schedule set is 1.0.

- Due to routines in the Commercial Reconciliation System (CRS), the *SS_SP metering data* is not available until the 6th calendar day following the *trading day*.

SS_SM Summary Meter

- The SS_SM Summary Meter is a notional summary meter that is also automatically created when the schedule set is defined in MDMS. The SS_SM Summary Meter is used to disaggregate the Shared Meter MSID by the *SS_SP Meter Point*. The SS_SM Summary Meter disaggregated value is the product of the *SS_SP Meter Point* and the Shared Meter MSID.
- Because the *SS_SP metering data* is not available until 6 calendar days after the *trading day*, *SS_SM metering data* is also only available on the 6th calendar day after the *trading day*.

The Compliance Aggregation Model makes reference to two key dates:

Implementation Date

- This is the date that the Compliance Aggregation Model will be entered and defined in the MDMS system.

Effective Date

- This is the date that the Compliance Aggregation Model will become active in the MDMS system.
- The *SS_SP metering data* becomes available in CRS on the 6th calendar day after the *trading day*.

When developing the Compliance Aggregation Model, the following conditions shall apply:

- A *delivery point* can only be associated with one Compliance Aggregation Model.
- All *delivery points* associated with the Compliance Aggregation Model must have the same *metering service provider*.

Once the *market participant* has received approval to proceed with Compliance Aggregation, a Compliance Aggregation Model will be developed. The Compliance Aggregation Model defines the relationship of the physical *meters*, summary meters and schedule set to the *delivery points*. The Compliance Aggregation Model will be supplied to the *market participant* for review and approval. Once accepted, the *market participant* must complete and submit IESO-FORM-1660 “Acceptance of Compliance Aggregation Model”. Using the Compliance Aggregation Model, the *metering service provider* must prepare and submit “Totalization Table” for each *delivery point* associated with the Compliance Aggregation Model via Online IESO (<https://online.ieso.ca/>). The “Totalization Table” must be received by the *IESO* at least 2 *business days* prior to the implementation date.

On the implementation date, the *IESO* will enter the totalization table into the MDMS system. As a result, the existing structure of the totalization table in the *metering registry* will change and these changes take effect on the start date of the *delivery point*. By completing and submitting IESO-FORM-1660, the *market participant* authorizes the *IESO* to implement the Compliance Aggregation Model and acknowledges that the current Site Registration Report for the affected *delivery points* will no longer be in effect. Typically, there is a 10-day turn-around time between the date the Compliance Aggregation Model is built in MDMS and the time the *IESO* receives the new signed SRR. During this interim period, the Compliance Aggregation Model represents the totalization table in the *metering registry* and is in effect.

2.3.7 Meter Disaggregation

Market participants may apply to disaggregate *facilities* for bidding purposes. If the request for disaggregation is approved, the *market participant* may elect to implement the Meter Disaggregation Model.

Meter disaggregation is the functionality within MDMS which enables true measured generation, derived from *registered wholesale meter(s)*, to be apportioned to two or more *delivery points* associated with the Meter Disaggregation Model. The apportionment is performed by applying a proportionality factor based on *dispatch instructions* to the aggregation summary meter.

The Meter Disaggregation Model consists of the following elements:

Schedule Set

- The schedule set identifies the Shared Meter MSID and Delivery Point ID's associated with the Meter Disaggregation Model.
- Only one *delivery point* may be considered "Primary" (indicated by a 'Y' in the Primary column of the schedule set). The *delivery point* set to "Primary" permits full access to all underlying data of the *delivery point*. A *delivery point* set to 'N' in the "Primary" column of the schedule set permits access to only the calculated values at the *delivery point*.

Shared Meter MSID

- The Shared Meter MSID is the summary meter that aggregates the total generation output from all *facilities* associated with the Meter Disaggregation Model.

SS_SP Meter Point

- The SS_SP Meter Point is a notional meter point that is automatically created when the schedule set is defined in MDMS. A SS_SP meter point is associated with each *delivery point* and the data contained in the SS_SP meter point is a proportionality factor based on the *dispatch instruction* of the individual *facility*. The proportionality factor is calculated by comparing the individual *energy* Real Time Constrained Schedule (RTCS) for each disaggregated *delivery point* to the total RTCS for the schedule set group. The proportionality factor is recorded for each 5 minute interval and is represented as a decimal percentage value. When the total RTCS is zero, the proportionality factor is distributed equally among all SS_SP Meter Points associated with the schedule set. The sum of each interval of all SS_SP Meter Points associated with the schedule set is 1.0.
- Due to routines in the Commercial Reconciliation System (CRS), the SS_SP *metering data* is not available until the 6th calendar day following the *trading day*.

SS_SM Summary Meter

- The SS_SM Summary Meter is a notional summary meter that is also automatically created when the schedule set is defined in MDMS. The SS_SM Summary Meter is used to disaggregate the Shared Meter MSID by the SS_SP Meter Point. The SS_SM Summary Meter disaggregated value is the product of the SS_SP Meter Point and the Shared Meter MSID.
- Because the SS_SP *metering data* is not available until 6 calendar days after the *trading day*, SS_SM *metering data* is also only available on the 6th calendar day after the *trading day*.

The Meter Disaggregation Model makes reference to two key dates:

Implementation Date

- This is the date that the Meter Disaggregation Model will be entered and defined in the MDMS system.

Effective Date

- This is the date that the Meter Disaggregation Model will become active in the MDMS system.
- The *SS_SP metering data* becomes available in CRS on the 6th calendar day after the *trading day*.

When developing the Meter Disaggregation Model, the following conditions shall apply:

- A *delivery point* can only be associated with one Meter Disaggregation Model.
- All *delivery points* associated with the Meter Disaggregation Model must have the same *metering service provider*.

Once the *market participant* has received approval to proceed with Meter Disaggregation, a Meter Disaggregation Model will be developed. The Meter Disaggregation Model defines the relationship of the physical *meters*, summary meters and schedule set to the *delivery points*. The Meter Disaggregation Model will be supplied to the *market participant* for review and approval. Once accepted, the *market participant* must complete and submit IESO-FORM-1665 “Acceptance of Meter Disaggregation Model”. Using the Meter Disaggregation Model, the *metering service provider* must prepare and submit IMO-FORM-1310 “Totalization Table Form” for each *delivery point* associated with the Meter Disaggregation Model. The “Totalization Table Form” must be received by the *IESO* at least 2 *business days* prior to the implementation date.

On the implementation date, the *IESO* will enter the totalization table into the MDMS system. As a result, the existing structure of the totalization table in the *metering registry* will change and these changes take effect on the start date of the *delivery point*. By completing and submitting IESO-FORM-1665, the *market participant* authorizes the *IESO* to implement the Meter Disaggregation Model and acknowledges that the current Site Registration Report for the affected *delivery points* will no longer be in effect. Typically, there is a 10-day turn-around time between the date the Compliance Aggregation Model is built in MDMS and the time the *IESO* receives the newly signed SRR. During this interim period, the Meter Disaggregation Model represents the totalization table in the *metering registry* and is in effect.

2.4 Applications Associated with the Creation of Totalization Table

2.4.1 Customer Data Management System (CDMS)

The Customer Data Management System (CDMS) is designed to meet the business requirements for the following business groups: System Capability, Market Entry and Metering Installation. The CDMS system is used by the three groups for the creation and maintenance of *facility* technical data:

- Registration of *market participants* and other organization types
- Registration of facilities and resources
- Registration of *metering installations*

The CDMS system maintains relationships between *metered market participants (MMP)*, *metering service providers (MSP)*, *transmitters* and/or *distributors*, and a *delivery point* (resource).

Also, the CDMS system maintains profiles, permissions, privileges and accounts for Meter Service Provider's, and *MMP's*. Once created and validated in CDMS, *metering*-relevant information, such as the *delivery point* relationships, is replicated to other *IESO* systems, such as MDMS.

2.4.2 Meter Data Acquisition System (MDAS)

MDAS is the application that the *IESO* uses for registering *metering installations*. *Meter point* IDs that are associated with each physical *meter/recorder* are created in the registration module of MDAS, transmitted to the production module, and then exported to the MDMS application.

2.4.3 Meter Data Management System (MDMS)

MDMS is the application that allows the creation of “summary maps” which summate readings from various *meter point* IDs that contribute to a *delivery point* (“metered market participant account”). This application also allows the application of error correction factors and losses, as appropriate. Once processed, these allocated quantities associated with a *delivery point*, which result from “totalized” *meter* readings, are exported to the Commercial Reconciliation system. MDMS is the place where the *meter point* ID that identifies either a physical or a summary meter is associated with a *delivery point* (account), based on the totalization data provided by the *metering service provider*.

MDMS is the *metering database* that includes original *energy* meter readings and creates as required *energy* readings that are loss adjusted and totalized to their respective *delivery points* for *settlement* of the *IESO-administered market*.

2.4.4 MDM-Meter Data Reports

MDM-Meter Data Reports allows *market participants* to view and download information about market transactions. *Metering service providers* can also use MDM- Meter Data Reports to check the correctness of the totalization tables entered by the *IESO*, prior to signoff.

2.4.5 Commercial Reconciliation

Commercial Reconciliation is the *settlements/billing* system employed by the *IESO*.

2.5 Supporting Documentation

2.5.1 Submitting the Information

A standard form, “Totalization Table Form”, available on the *IESO's* Web site as an Excel spreadsheet, must be used for the submission of totalization data for the *energy market delivery point(s)* as well as for the *TT delivery point(s)*. The Excel format allows the *metering service provider* to adjust the number of lines as fit. The *metering service provider* can start the building of the Totalization Table as soon as a new *meter point* has been created and the MEC factors and the SSLA factors have been positively reviewed by the *IESO*. However, the procedure will conclude only after the relevant *meter points* have been registered with the *IESO*. For details see “Market Manual 3: Metering, Part 3.2: Meter Point Registration and Maintenance”.

Once completed, the “Totalization Table Form” will be submitted to the *IESO* as an Excel file [uploaded in Online IESO](#).

Details with regard to the information contained in the form, as well as the way this data is to be entered is given in Appendix B. A sample totalization is presented in Appendix C.

2.5.2 Confirming Correctness of the Totalization Tables

Once the *IESO* has entered the totalization tables in MDMS, based on the information submitted by the *metering service provider*, a “Site Registration Report”, will be generated by the *IESO* in Online IESO. Upon receiving the above Report from the *IESO*, the *metering service provider* must verify the data, resolve any issues with the *IESO*, and approve the report in Online IESO. Upon receiving the approved “Site Registration Report” for a newly-created *delivery point*, the *IESO* will activate the billing process for the relevant *metered market participant*, as detailed in “Part 3.8: Creating and Maintaining Delivery Point Relationships”.

The *transmitter* must also approve the “Site Registration Report” for *transmission tariffs delivery point*.

2.6 Maintaining Totalization Tables

There is no maintenance process as such for totalization tables as these must be resubmitted whenever one of the following changes occur:

- creation, modification or de-registration of relevant *meter point* IDs;
- change of relevant MEC, TLF and/or SSLA;
- change in allocation of *station service* consumption or Transformation Losses; and
- change of any other item that appears on the “Totalization Table Form”. The only exception to this rule is the change of *metered market participant* or *metering service provider* for a *delivery point*. Since such changes are first captured in the CDMS tool and thus reflected automatically in the relevant Totalization Table, there is no need for resubmission.

When resubmitting a totalization table, the *metering service provider* must highlight the items that have been revised using the following conventions:

- Green for creation,
- Yellow for modifications,
- Red for de-registration.

2.7 Site Registration Report

The Site Registration Report (SRR) reflects all the parameters of the “Totalization Table Form” submission except for the *metered market participant* and the *metering service provider* relationships. Once signed-off by the *metering service provider* (and the *Transmitter*, if applicable) the SRR becomes an official document to which the *settlement* for that *delivery point* will be *invoiced*. A sample SRR is presented in Appendix E.

The SRR may contain up to seven sections. Please note that there can be only one summary meter attached to a *delivery point* at any one time. We will call this summary meter THE summary meter. The seven sections are:

1 Report Title

- contains the site registration report for the subject *Delivery Point* and contains the date and time when the Site Registration Report was generated by MDMS. The report title will be displayed on the top of every page.

2 Meter Tree Picture

- a picture layout of the configuration of physical meters, summary meters, THE summary meter and the *delivery point*. The picture layout also represents *meter(s)*, summary meter(s), THE summary meter and *delivery point* that can be viewed and can be downloaded in MDM- Meter Data Reports.

3 The *delivery point* associated to THE summary meter from a start date to an end date.

- Note: A 'no end date' indicates THE summary meter is active, therefore the *delivery point* is active. A specific end date will indicate that THE summary meter and the contribution from all associated meters and summary meters below have been end dated. In other words, the *delivery point* will not be settled after the specified end date.

4 Channel Summary for THE summary meter

- the makeup of THE summary meter. THE summary meter will indicate:
Listing of channels :1), 2), 3,) 4)
interval length :5 or 15 minute
type of *meter*: Summary channel, M (Main) channel, or S (Standalone)channel
Unit of Measurement (UOM) :1=kwh, 3=kvarh
Direction of Power Flow :I=Import/delivered/withdrawal, E=Export/received/injection
Voltage Code :None = no losses applied
 : a 3 digit character
Note: Assumed Voltage, Assumed PF, CT ratio, VT ratio and ServiceType :D=Delta, or W=Wye) are displayed only if Voltage Code exist and Method 1 losses are applied.

5 Detailed Channel Information for THE Summary Meter

- Each channel of THE summary meter contains the mapping of all meters and summary meters.
- Each channel of THE summary meter will list the contributors including the parameters in 3 above.
- The plus sign indicates the metering data contribution is additive to THE summary meter's channel. A minus sign indicates the metering data contribution is subtractive to THE summary meter's channel.
- The percentage indicates the amount of *metering data* contributing to THE summary meter's channel. 100% indicates all the *metering data* is contributing where as 50% indicates only half of the *metering data* is contributing.
- The *meter* or summary meter's id.
- The channel number.
- The start date and end date. Again, an end date will indicate that the contribution from all associated meters and/or summary meters below will no longer have effective *metering data* after the specified end date. A 'null' indicates no end date.
- Interval length, type of *meter*, Unit of measurement, Power Flow direction, Voltage Code.
- An indent indicates that another layer of *meter* or summary meter is contributing.

6 Voltage Code Information

- If a voltage code exists at the *meter* or summary meter, the 3 character voltage code will be listed. Underneath the listing will contain:

Precedence number—indicates the order to apply the losses

Loss Factor code ---indicates the loss factor number and type of loss factor. Fixed loss is used for MEC, DLF, TLF. Equation loss is used for method 1 and method 2.

The start date and end date. An end date of – (dash) indicates no end date.

Actual value—a Fixed loss will indicate the word Factor and then the percentage value. Method 1 will indicate I4H, I2H, V4H, V2H, and a constant. Normally, method 1 will indicate coefficients for I2H and V2H. The remaining parameters will have Zero values. Method 2 will indicate the coefficients for KVA2H, KVAH and a constant.

Once approved, the SRR becomes one of the official documents from which an *invoice* will be generated.

– End of Section –

3. Procedural Work Flow

The diagrams in this section represent the flow of work and information related to the Totalization Table Registration procedure between the *IESO*, the primary external participant involved in the procedure, and any other parties.

The steps illustrated in the diagrams are described in detail in Section 4.

The acronym “PWF” stands for Procedural Workflow.

Table 3–1: Legend for Procedural Work Flow Diagrams

Legend	Description
Oval	An event that triggers task or that completes task. Trigger events and completion events are numbered sequentially within procedure (01 to 99).
Task Box	Shows reference number, party responsible for performing task (if “other party”), and task name or brief summary of task. Reference number (e.g. 1A.02) indicates procedure number within current <i>market manual</i> (1), sub-procedure identifier, if applicable, (A), and task number (02).
Solid horizontal line	Shows information flow between the <i>IESO</i> and external parties.
Solid vertical line	Shows linkage between tasks.
Broken line	Links trigger events and completion events to preceding or succeeding task.

Labels marked TTBL-xx represent letters the *IESO* sends to the *metering service provider* at various steps in the process.

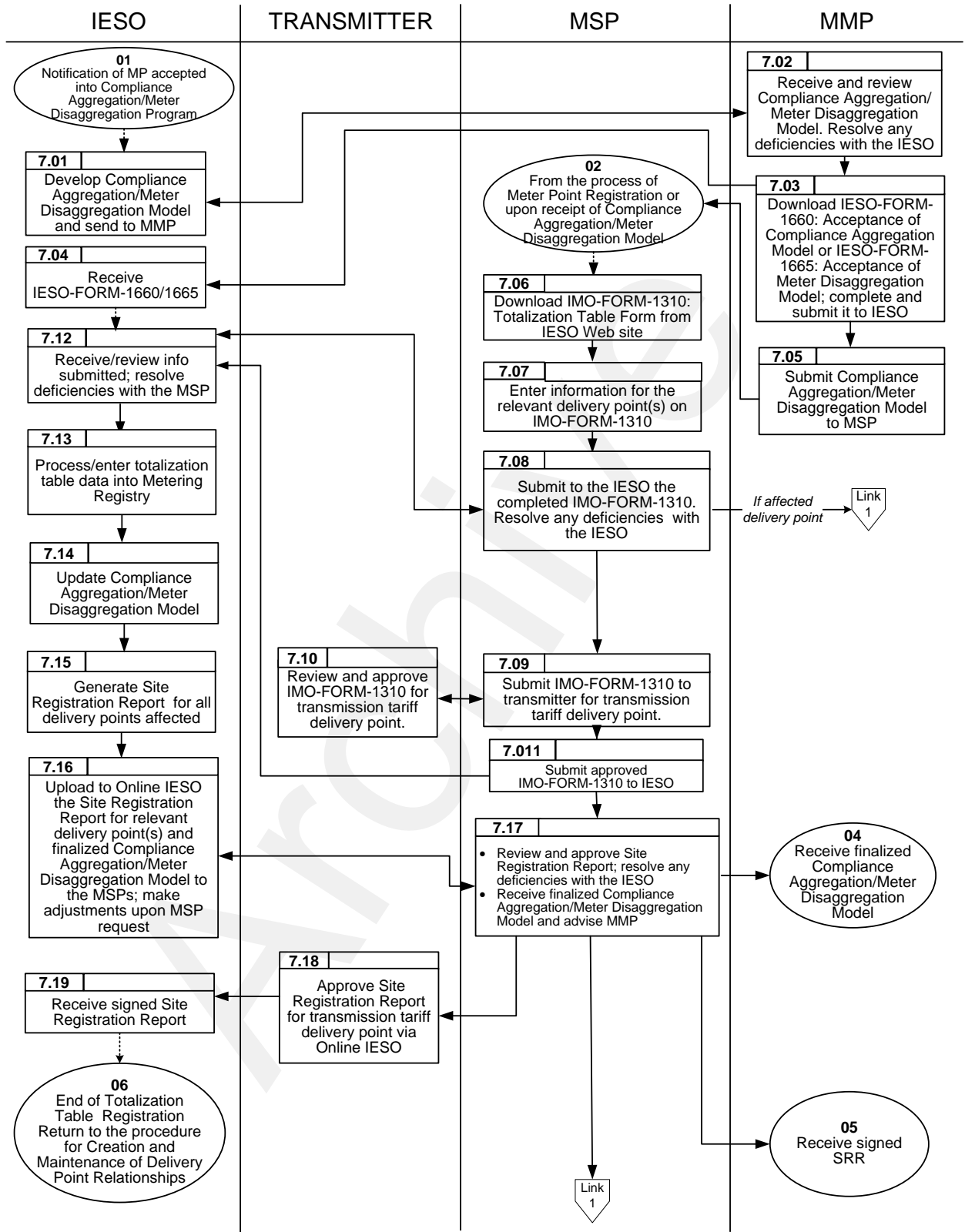


Figure 3–1: Work flow for Totalization Table Registration

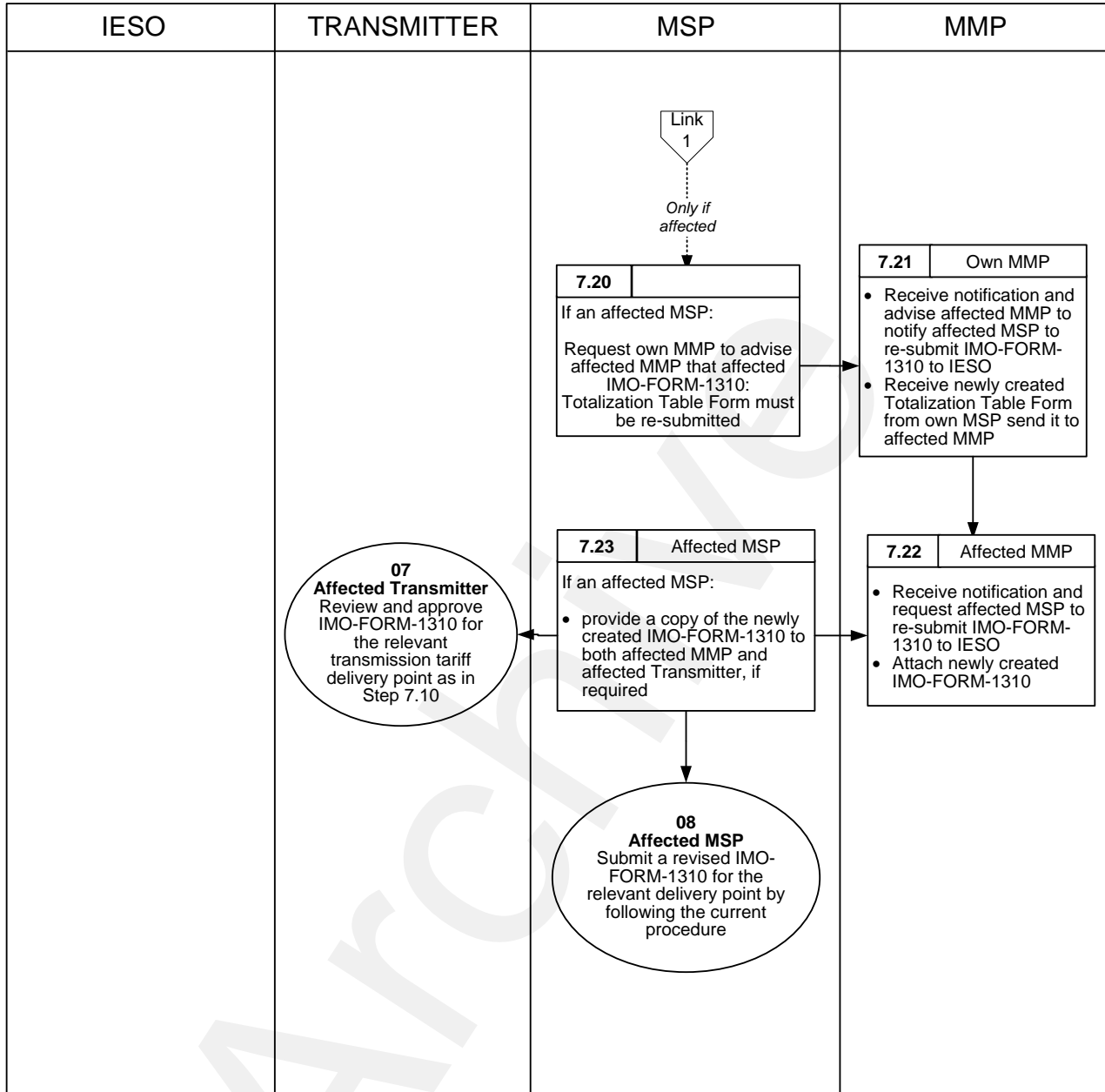


Figure 3–1: Work Flow for Totalization Table Registration (continued)

– End of Section –

Appendix A: Forms

This appendix contains a list of forms used in the Totalization Table Registration procedure, which are available on the *IESO* Web site (www.ieso.ca). The forms included are listed in the table below.

Form Name	Form Number
Connection Facility Station Service Form	FORM-78
Totalization Table Form	IMO_FORM_1310 (Excel spreadsheet)
Acceptance of Compliance Aggregation Model	IESO_FORM_1660
Acceptance of Meter Disaggregation Model	IESO_FORM_1665

– End of Section –

Appendix B: Guidelines for Completing the Totalization Table Form

General Overview

The information submitted to the *IESO* relates to physical *meters* that contribute to the *settlement* at a specific *delivery point*. These physical *meters* are then used by the *IESO* as contributors to summary (virtual *meters*) associated with the *delivery point*. In the enduring stage, the *metering service provider* will, however, submit complete totalization tables, ready for input into MDMS. The *metering service provider* must submit the information, electronically, on an Excel spreadsheet that can be downloaded from the *IESO* Web site. The standard spreadsheet form contains three distinct areas: general information (at the top), *energy market*, and *transmission tariffs*.

The general information area, at the top of each form, includes the following fields:

- **Facility Name:** enter the name of *facility* as recorded on the SLD and the “SLD-Submission Form” submitted for *meter point* registration;
- **Effective Date:** enter the estimated date when *settlement* at the *delivery point* must start; note that the real date for starting *settlements* is the date when *metered market participant* relationships for *delivery point* are accepted by the *IESO*, see “Market Manual 3: Metering, Part 3.8: Creating and Maintaining Delivery Point Relationships”;
- **Metering Service Provider ID:** enter the ID assigned to the *metering service provider* during *metering service provider* registration;
- **Prepared by:** enter the name of *metering service provider’s* staff who prepared the information;
- **Ratio of Breakers for (enter the metered market participant name and #):** enter the number of breakers pertaining to each *metered market participant* involved and the total number of feeder breakers; and
- **Non-Metered Station Service (kW):** enter the value previously submitted as per Section 2.3.1.

The detailed information to be entered in **Area A: *energy market*** includes the following:

- **Metered Market Participant:** enter the *metered market participant #*, as above;
- **Delivery Point ID (energy):** enter the *delivery point* at which the above *metered market participant* is settled, as recorded on the SLD and the “SLD-Submission Form” submitted for *meter point* registration;
- **Summary 1:** to be completed by *IESO*, for now;
- **Summary 2:** to be completed by *IESO*, for now;
- **Meter Point ID:** enter the ID of the physical *meter* (contributor) as assigned during *meter point* registration or enter none for *station service*;
- **Channel No:** enter the channel number of the physical *meter*; only kWh and kVARh channels are required;
- **Operator + or -:** enter “+” if the reading of the *meter* is to be added or “-” if subtracted;
- **U of M** enter the unit of measure (kWh or kVARh);
- **Energy Flow Direction:** enter the direction of *energy* (“DEL” for delivered, “REC” for received);

- **Description of Measured Circuit:** identify the physical location of the *meter* as specified on the relevant SLD submitted during the process of *meter point* registration (Ex: Pine TS-T4);
- **Ratio (scaling):** leave blank for 100% allocation of *metering data*. A value of .5 would indicate to allocate 50% of the *metering data*;
- **MEC:** enter MEC value as per Section 2.2.4;
 - **Assumed Voltage¹:** enter value of assumed secondary voltage;
 - **Assumed PF*:** enter value for the assumed power factor, two decimal digits are required;
 - **Service Type*:** enter “D” for 3-wire, delta service or “W” for 4-wire, wye service;
 - **CT Ratio*:** enter the current transformer’s ratio in use;
 - **VT Ratio*:** enter the voltage transformer’s ratio in use;
- **Coefficients for Transformation Losses and/or Radial Line**, as follows (enter already adjusted values, as per Section 2.2.5):

Transformation:

 - a (V^2)
 - b (I^2)

Radial line:

 - e (V^2)
 - f (I^2)
- **Coefficients for Transformation Losses and/or Radial Line** (for three winding transformers, enter already adjusted values, as per Section 2.2.5) as follows:

Transformation:

 - k₁
 - k₂
 - k₃

Radial line:

 - k₁
 - k₂
 - k₃
- **TLF (for embedded metered market participants only):** enter Total Loss Factor as per Section 2.2.6.

The detailed information to be entered in **Area B: transmission tariffs** includes the following:

- **MMPT Name:** enter the *Market Participant* name and number who is the *transmission customer*;
- **MMPT#:** enter the *Market Participant #* , as above;
- **DP ID:** enter the TT *delivery point* IDs, as submitted on the SLD and “SLD-Submission Form”;
- **Summary 3:** to be completed by the *IESO*, for now;
- **Summary 4:** to be completed by the *IESO*, for now;

¹ Required only when loss coefficients “a” and “b” and/or “e” and “f” are used.

- **Meter Point ID:** enter the ID of the physical *meter* (contributor) as assigned during *meter point* registration or enter none for *station service*;
- **Channel No:** enter the channel number of the physical *meter*; only kWh and kVARh channels are required;
- **Operator + or -:** enter “+” if the reading of the *meter* is to be added or “-” if subtracted;
- **U of M** enter the unit of measure (kWh or kVARh);
- **Energy Flow Direction:** enter the direction of *energy* (“DEL” for delivered, “REC” for received);
- **Description of Measured Circuit:** identify the physical location of the *meter* as specified on the relevant SLD (Ex: Pine TS-T4).

The rest of the fields in the *transmission tariffs* area (the hatched columns) must be filled only if the associated *meters* (*meter points*) are used exclusively for *transmission tariffs*; otherwise, there is no need to populate them. If the *meter point* ID is the same as for the *energy market*, then all the hatched cell information will apply.

However, this information (such as SSLA, MEC and TLF factors) can be added at the Meter Service Provider’s discretion.

Note: *Meter point* IDs pertaining to *meters* that will be used for TT calculations, only, must be marked by an asterisk. Such *meters* are associated with *embedded generators* built after 1998 and that do not participate in the *energy market*. It is the responsibility of the host MMPT to ensure that such *meters* are properly registered with the *IESO*.

– End of Section –

Appendix C: Example of Totalization

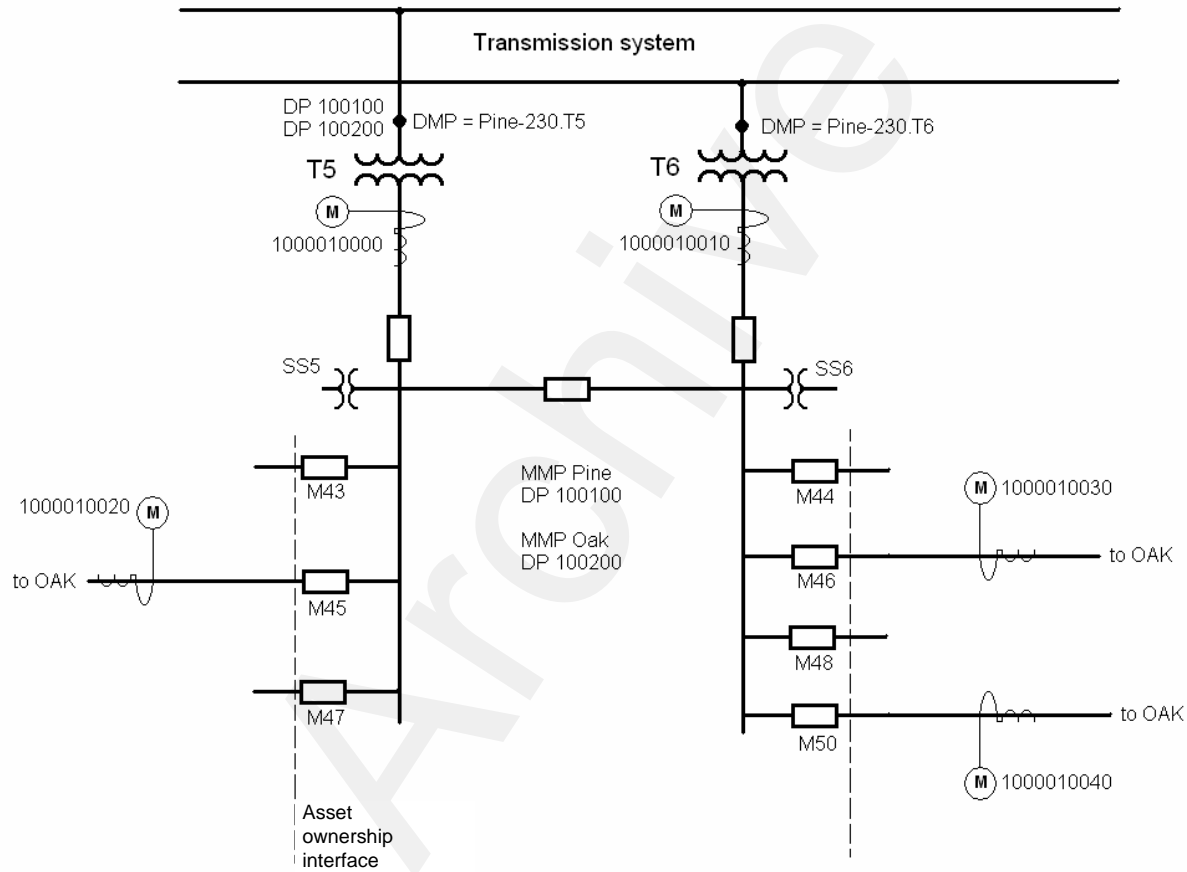


Figure C-1: Single Line Diagram for Pine TS T5/T6

Table C-1: Totalization Table Form

TOTALIZATION TABLE FORM



Facility Name: Pine TS
 Effective Date: 01-Oct-00
 MSP ID: 1000
 Prepared By (MSP): Tom Jones
 IESO Build By:

Breaker Ratio	T ₅		T ₆		T ₇	
	MMP Feeders	Total Feeders T5/T6	MMP Feeders	Total Feeders	MMP Feeders	Total Feeders
MMP1: Pine	4	7				
MMP2: Oak	3	7				

Non-metered Station Service (kW) SS5+SS6 = 15kW

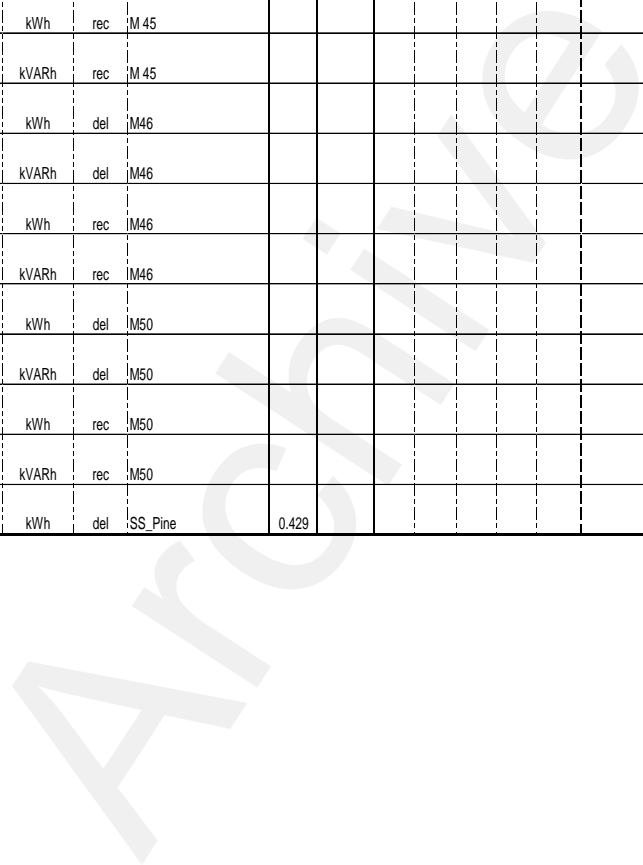
A. ENERGY MARKET

Full SSLA			
Date	k1	k2	k3
01-Oct-00	T5-T6	0.0192	-0.173 104.41

MMP #	DP ID	Summary 1	Summary 2	Meter Point ID	Channel No. Operator (+ or -)	Unit	Energy Flow Direction	Description of Measured Circuit	Ratio (3 dec.)	MEC	Assumed Voltage	Assumed Phase	Service Type	CT Ratio	PT Ratio	Transformation		Radial Line		Transformation			Radial Line			TLF										
																a(V ²)	b(I ²)	e(V ²)	f(I ²)	k ₁	k ₂	k ₃	k ₁	k ₂	k ₃											
1	100100			100001000	1 +	kWh	del	T5																												
				100100C99	100001000	2 +	kVARh	del	T5																											
					100001000	3 +	kWh	rec	T5																											
					100001000	4 +	kVARh	rec	T5																											
					100001001	1 +	kWh	del	T6																											
					100001001	2 +	kVARh	del	T6																											
					100001001	3 +	kWh	rec	T6																											
					100001001	4 +	kVARh	rec	T6																											
					100001002	1 -	kWh	del	M45																											
					100001002	2 -	kVARh	del	M45																											
					100100EE	100200E	100001002	3 -	kWh	rec	M45																									
							100001002	4 -	kVARh	rec	M45																									
							100001003	1 -	kWh	del	M46																									
							100001003	2 -	kVARh	del	M46																									
							100001003	3 -	kWh	rec	M46																									
							100001003	4 -	kVARh	rec	M46																									
							100001004	1 -	kWh	del	M50																									
							100001004	2 -	kVARh	del	M50																									
							100001004	3 -	kWh	rec	M50																									
							100001004	4 -	kVARh	rec	M50																									
				20	1 -	kWh	del	SS_Pine	0.429																											

Table C-1: Totalization Table Form (continued)

2	100200	100200C99	1000010020	1	+	kWh	del	M45									0.0448	-0.173	44.747								
			1000010020	2	+	kVARh	del	M45																			
			1000010020	3	+	kWh	rec	M45																			
			1000010020	4	+	kVARh	rec	M45																			
			1000010030	1	+	kWh	del	M46											0.0448	-0.173	44.747						
			1000010030	2	+	kVARh	del	M46																			
		100200E	1000010030	3	+	kWh	rec	M46																			
			1000010030	4	+	kVARh	rec	M46																			
			1000010040	1	+	kWh	del	M50												0.0448	-0.173	44.747					
			1000010040	2	+	kVARh	del	M50																			
			1000010040	3	+	kWh	rec	M50																			
			1000010040	4	+	kVARh	rec	M50																			
				20	1	+	kWh	del	SS_Pine		0.429																



Appendix D: Metering - Settlement Principles

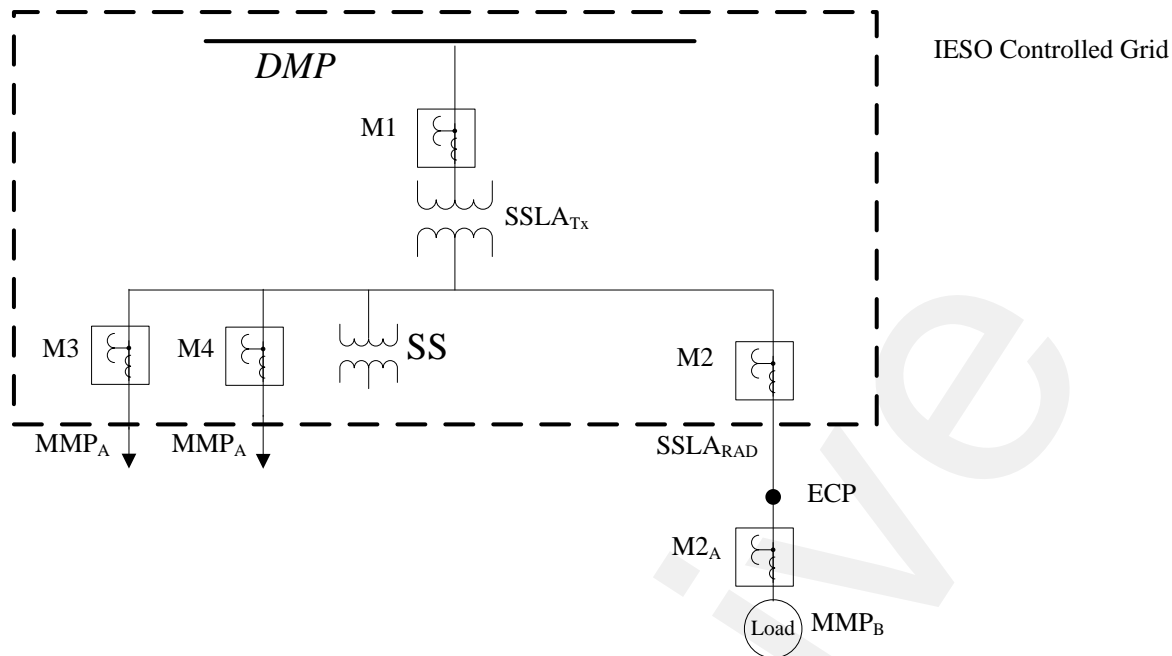
Metering - Settlement Principles

This Appendix provides examples of the application of principles utilized by the *IESO* in settling the wholesale market. These examples are not intended to be exhaustive of circumstances that may arise and may not reflect *market participants'* commercial arrangements or agreements with other *market participants* or other third parties. If *market participants* have particular requirements or encounter circumstances not covered in the examples, or if *market participants* believe the examples are not appropriate, they should contact the *IESO* prior to submission of the totalization table. *Metered market participants* and their *metering service providers* are responsible for ensuring that the applications of the principles are appropriate to their situation.

Metered market participants are also responsible for ensuring that their respective *OEB* approved loss factors such as the TLF are applied in a manner consistent with their respective rate orders.

The *IESO* is not responsible or liable for any commercial arrangements or other agreements between *market participants* such as *MMPs*, *MSPs*, *transmitters*, *distributors* and *generators*, or between *market participants* and other third parties. In addition, as noted above, the examples in this Appendix may not reflect these arrangements or agreements. If *market participants* have particular commercial arrangements or agreements not covered in the examples or where they believe the examples are not appropriate, they should contact the *IESO* prior to submission of the totalization table.

A. General Arrangement – Note Variations of Layout Used in all Cases



Definitions

M1 – Primary RWM

M2_A – Embedded RWM

M2, M3 & M4 – RWM

SS - station service (note location may vary)

SSLA_{TX} - site specific loss adjustment in kWh – transformer

SSLA_{RAD} - site specific loss adjustment in kWh - radial line loss

Where there is sharing of losses and station service, MMP_A share Y, MMP_B share Z, then

$$SSLA_{TX} = SSLA_Y + SSLA_Z$$

$$SS = SS_Y + SS_Z$$

ECP - embedded connection point

TLF - total loss factor (per OEB)

DMP - defined meter point

TT - transmission tariff

Agreement - means an SSLA_{TX} and SS allocation agreement between Metered Market Participants

No agreement - means Market Rules Ch 9 default values for SSLA_{TX} and SS

MMP - metered market participant, may be A, B etc

Tap - means a physical line tap for load, whether temporary, or permanent, or emergency

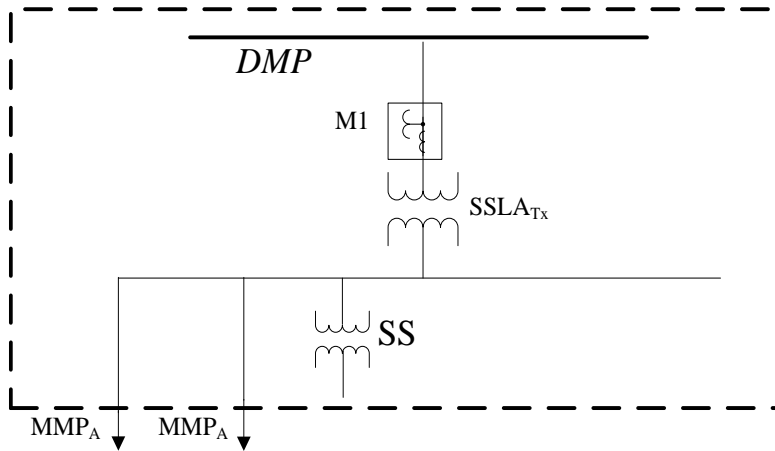
Notes:

1. SSLA_Y and SSLA_Z are loss component values (kWh) calculated from application of Y & Z to the loss code for each interval and represents their share of the losses.
2. SS_Y and SS_Z is the application of the ratios of Y and Z to the total station service load, also in kWh.

3. The ECP is equivalent to the DMP for an embedded *facility*. ECP is used for simplicity.
4. The *transmission tariffs* are strictly based on the applicable Ontario Transmission Rate Schedules.
5. The assumption is the TLF includes the *station service* load.
6. An embedded participant has a TLF but no *station service* load or transmission charge.
7. Directly connected to a HONI Transformer Station (TS) means the LDC feeder is directly connected to the TS bus inside the fence - no TLF, and the LDC is the TT customer.
8. An embedded participant is defined as per the *Market Rules*.
9. A participant is either embedded or directly connected, not both.
10. 1A directly connected participant is defined by the transmission connection agreement.
11. *Market Participants* shall ensure that their TLFs are being applied appropriately. The *IESO* is not party to the individual LDCs TLF calculations and is not responsible for their misapplication.
12. The *transmitter* is responsible for the *station service* metering.
13. The participant that owns the majority of the feeders is responsible for the loss calculation, unless they cause a calculation to be performed.
14. The TLF is used to settle both the *energy* consumed and transmission charges.
15. The principles are based on TLFs not including any measurement error correction (MEC). These are applied separately to the meter reading.
16. TLF factors are dependent on power flow direction. For the delivered channel, the TLF approved by *OEB* rate order will be applied. For the received channel, a default value of one (1) will be applied. Any value other than the default value must be agreed by the participants.

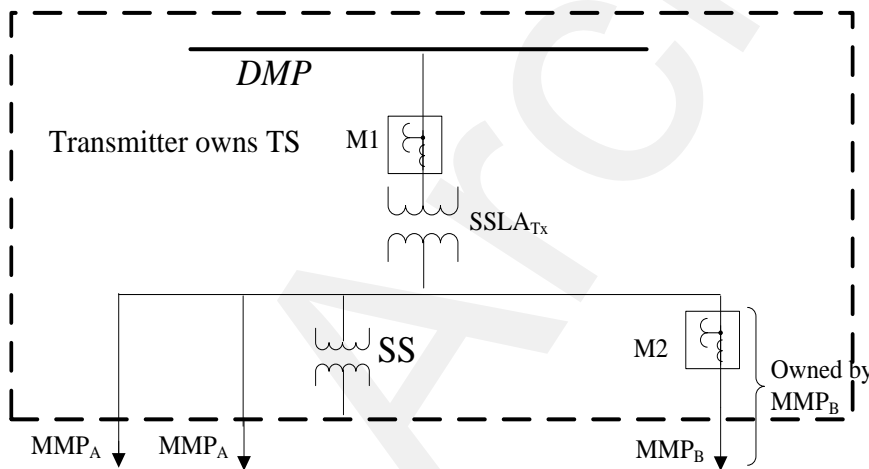
1. High Side Meter

Assumption: MMP_A is the only participant



Total Energy	=	M1	M1 captures all losses and <i>station service</i>
MMP_A Energy	=	M1	
MMP_A TT	=	M1	

2a. High Side Meter + MMP_B Directly Connected to the TS bus with the feeder meter



MMP_A and MMP_B are directly connected to the TS bus inside the fence
 MMP_A and MMP_B are *transmission customers*

2a.1. Agreement on Losses

MMP_A Energy	=	$M1 - (M2 + SS_Z + SSLA_Z)$
MMP_A TT	=	$M1 - (M2 + SS_Z + SSLA_Z)$
MMP_B Energy	=	$M2 + SS_Z + SSLA_Z$
MMP_B TT	=	$M2 + SS_Z + SSLA_Z$

2a.2 No Agreement on Losses (MMPB gets zero losses)

$$SS_Z = 0, SSLA_Z = 0$$

$$MMP_A \text{ Energy} = M1 - M2$$

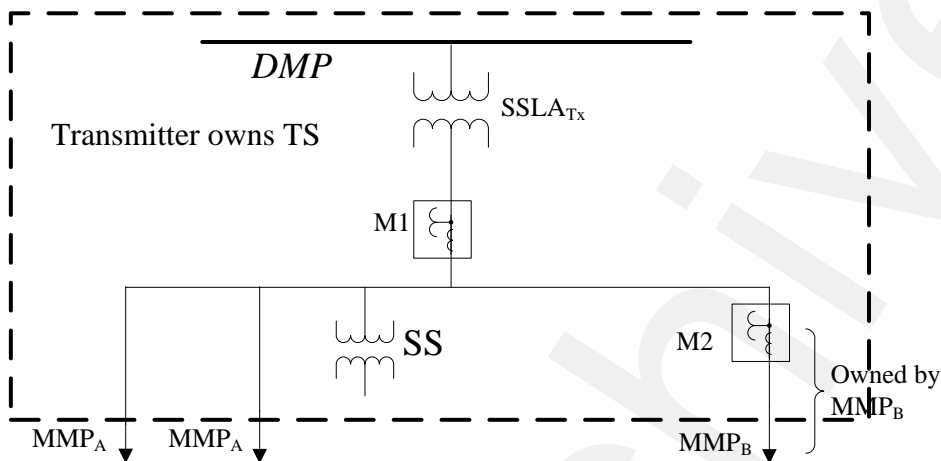
$$MMP_A \text{ TT} = M1 - M2$$

$$MMP_B \text{ Energy} = M2$$

$$MMP_B \text{ TT} = M2$$

Note:

1. MMP_B provides the loss calculation

2b. Bus Meter + MMP_B Directly Connected to the TS bus with feeder meter

- MMP_A and MMP_B are directly connected to the TS bus inside the fence
- MMP_A and MMP_B are *transmission customers*

2b.1 Agreement on Losses

$$MMP_A \text{ Energy} = M1 + SSLA_{TX} - (M2 + SS_Z + SSLA_Z)$$

$$MMP_A \text{ TT} = M1 + SSLA_{TX} - (M2 + SS_Z + SSLA_Z)$$

$$MMP_B \text{ Energy} = M2 + SS_Z + SSLA_Z$$

$$MMP_B \text{ TT} = M2 + SS_Z + SSLA_Z$$

2b.2 No Agreement on Losses (MMP_B gets zero losses)

$$SS_Z = 0, SSLA_Z = 0$$

$$MMP_A \text{ Energy} = M1 + SSLA_{TX} - M2$$

$$MMP_A \text{ TT} = M1 + SSLA_{TX} - M2$$

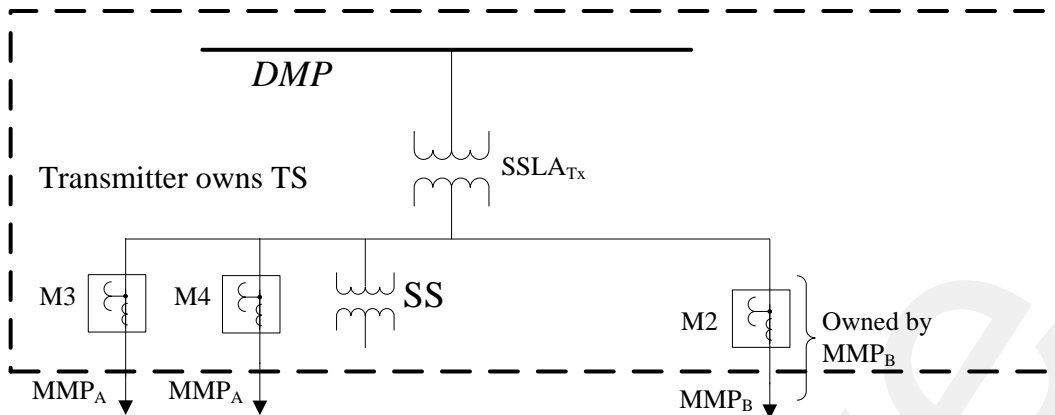
$$MMP_B \text{ Energy} = M2$$

$$MMP_B \text{ TT} = M2$$

Notes:

1. MMP_A provides the loss calculation.

3. Feeder Meters – MMPA and MMPB Directly Connected to TS Bus



- MMP_A and MMP_B are directly connected to the TS bus inside the fence
- MMP_A and MMP_B are *transmission customers*

3.1 Agreement on Losses

$$\begin{aligned}
 MMP_A \text{ Energy} &= M3 + M4 + SS_Y + SSLA_Y \\
 MMP_A \text{ TT} &= M3 + M4 + SS_Y + SSLA_Y \\
 MMP_B \text{ Energy} &= M2 + SS_Z + SSLA_Z \\
 MMP_B \text{ TT} &= M2 + SS_Z + SSLA_Z
 \end{aligned}$$

3.2 No Agreement on Losses (MMP_B gets zero losses)

Based on breaker count of 3 breakers

Same as above (with agreement) except losses calculated using

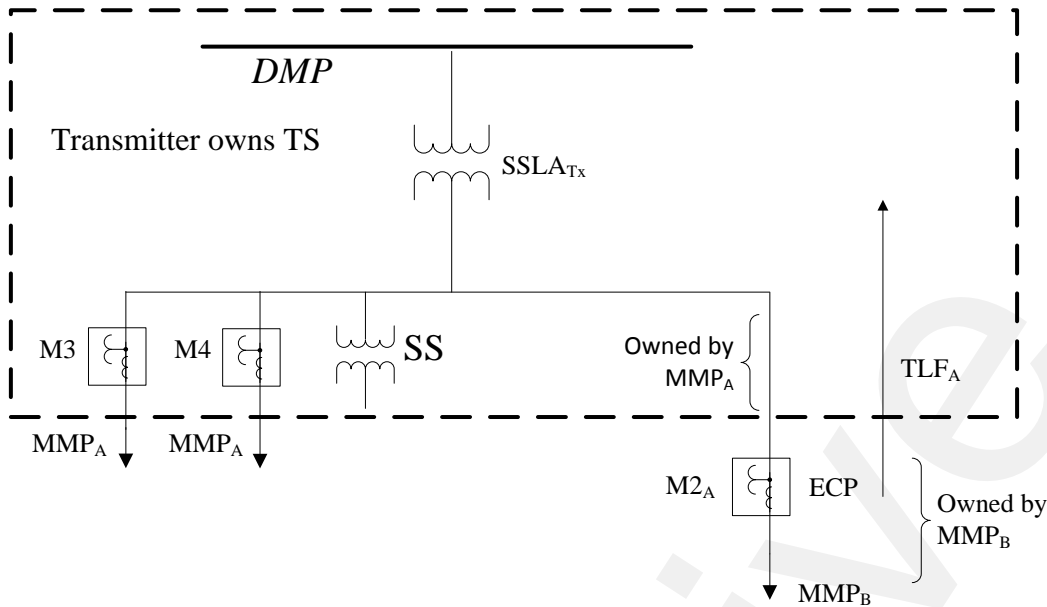
$$Y = 2/3$$

$$Z = 1/3$$

Notes:

1. MMP_A provides the loss calculation.

4. Feeder Meters – MMP_B embedded in MMP_A Feeder



- MMP_A is the *transmission customer*
- MMP_B is embedded in MMP_A feeder

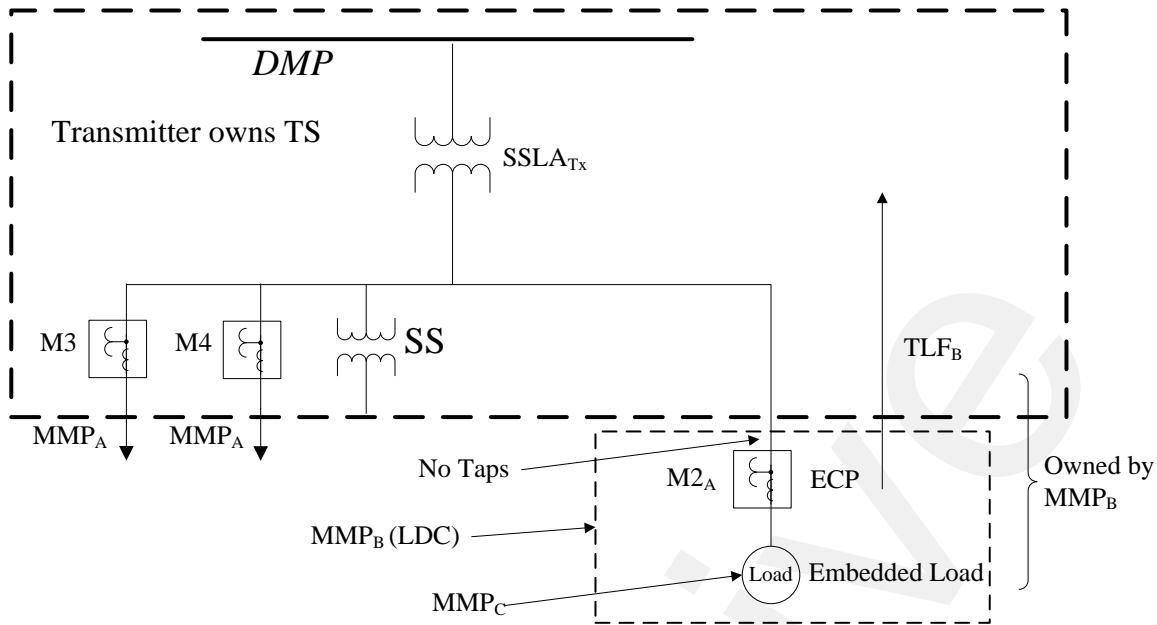
4.1 No Agreement on Losses is required

MMP _A Energy	=	M3+M4+SS _Y +SSLA _Y
MMP _A TT	=	M3+M4+SS _Y +SSLA _Y +M2 _A .TLF _A
MMP _B Energy	=	M2 _A .TLF _A per <i>OEB</i>

Notes:

1. The TLF may have more than one value depending on the *OEB* approved rate -for example it may have a smaller value for an ECP close to the TS, and larger values further away from the TS e.g. HONI TLF.
2. MMP_A provides the loss calculation.
3. Share Y = 2/3 based on breaker count used by MMP_A

5. MMP_A and MMP_B Directly Connected, MMP_C Embedded in MMP_B



- MMP_A and MMP_B are directly connected to the TS bus inside the fence
- MMP_A and MMP_B are *transmission customers*

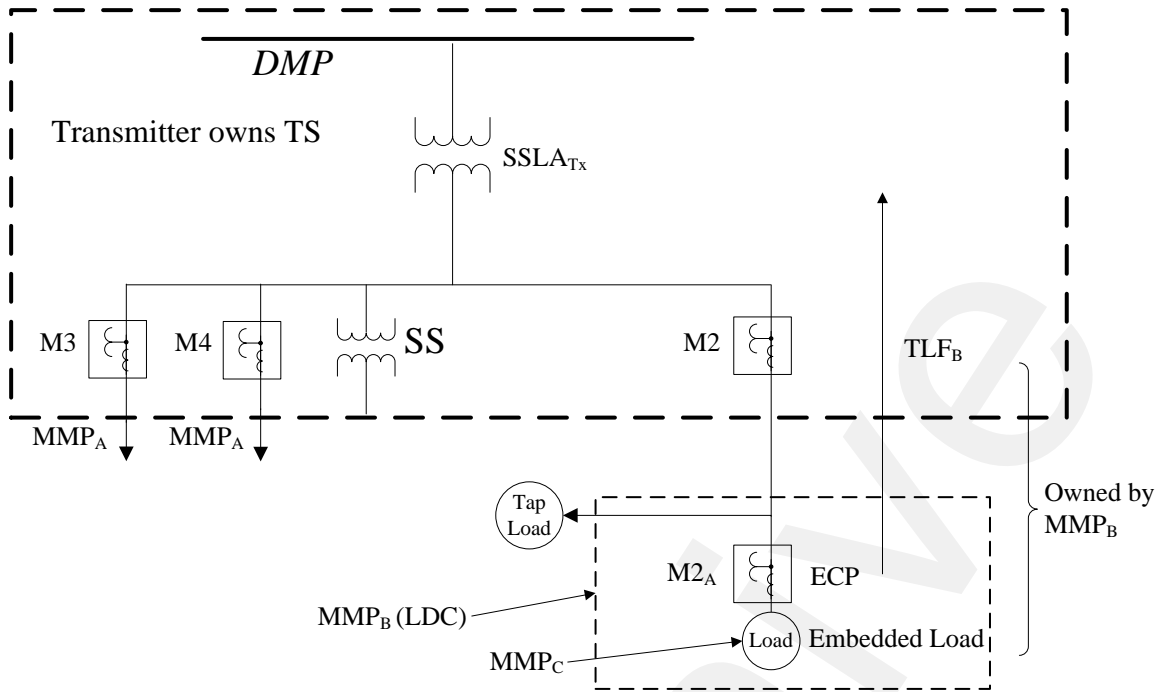
5.1 No Agreement on Losses is required

MMP _A Energy	=	M3+M4+SSY+SSLAY
MMP _A TT	=	M3+M4+SSY+SSLAY
MMP _B TT	=	M2 _A ·TLF _B
MMP _C Energy	=	M2 _A ·TLF _B per <i>OEB</i>

Notes:

1. MMP_B provides the loss calculation.
2. Loss share Y=2/3 based on breaker count used by MMP_A

6a. MMPA and MMPB Directly Connected, MMPC Embedded in MMPB – Feeder Meters



- MMP_A and MMP_B are directly connected to the TS bus inside the fence
- MMP_A and MMP_B are *transmission customers*
- MMP_A and MMP_B are the two parties that have to agree on losses

6a.1 Agreement on Losses

$$\begin{aligned}
 \text{MMP}_A \text{ Energy} &= \text{M3} + \text{M4} + \text{SS}_Y + \text{SSLA}_Y \\
 \text{MMP}_A \text{ TT} &= \text{M3} + \text{M4} + \text{SS}_Y + \text{SSLA}_Y \\
 \text{MMP}_B \text{ Energy} &= \text{M2} + \text{SS}_Z + \text{SSLA}_Z - \text{M2}_A \cdot \text{TLF}_B \\
 \text{MMP}_B \text{ TT} &= \text{M2} + \text{SS}_Z + \text{SSLA}_Z \\
 \text{MMP}_C \text{ Energy} &= \text{M2}_A \cdot \text{TLF}_B \text{ per } OEB
 \end{aligned}$$

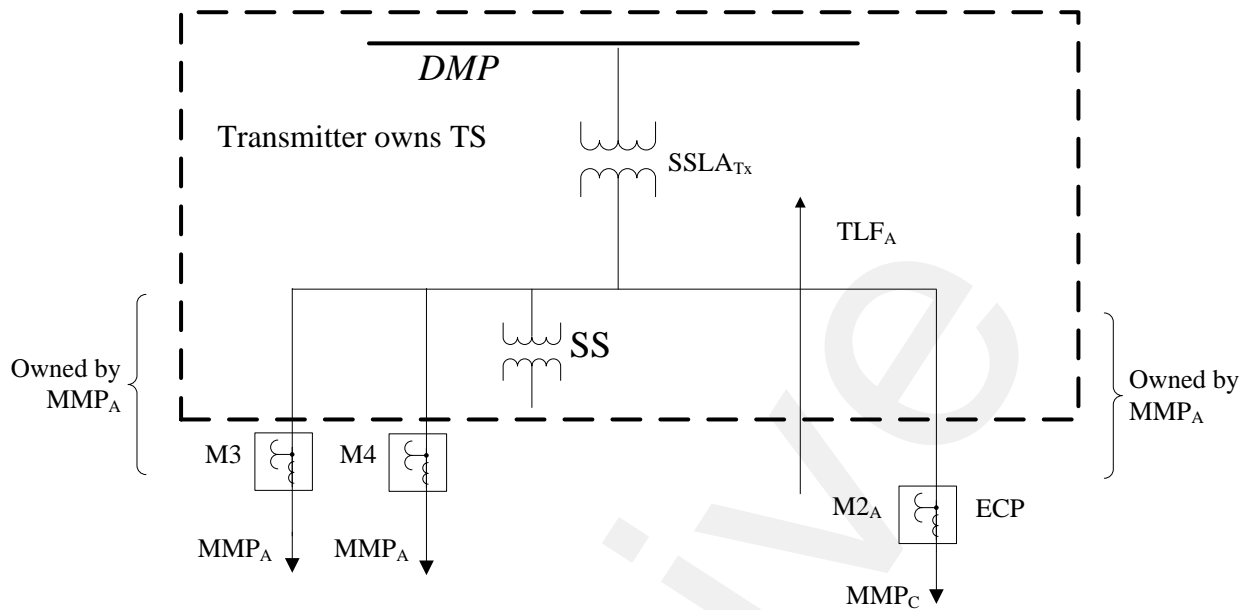
6a.2 No Agreement on Losses is required

Same as above except A's loss factor is based on 2/3 and B's is on 1/3.

Notes:

1. MMP_A provides the loss calculation.

6b. MMP_B and MMP_C Embedded



- MMP_B and MMP_C have moved outside the fence
- MMP_B and MMP_C are both embedded in MMP_A feeders
- MMP_A is the *transmission customer*

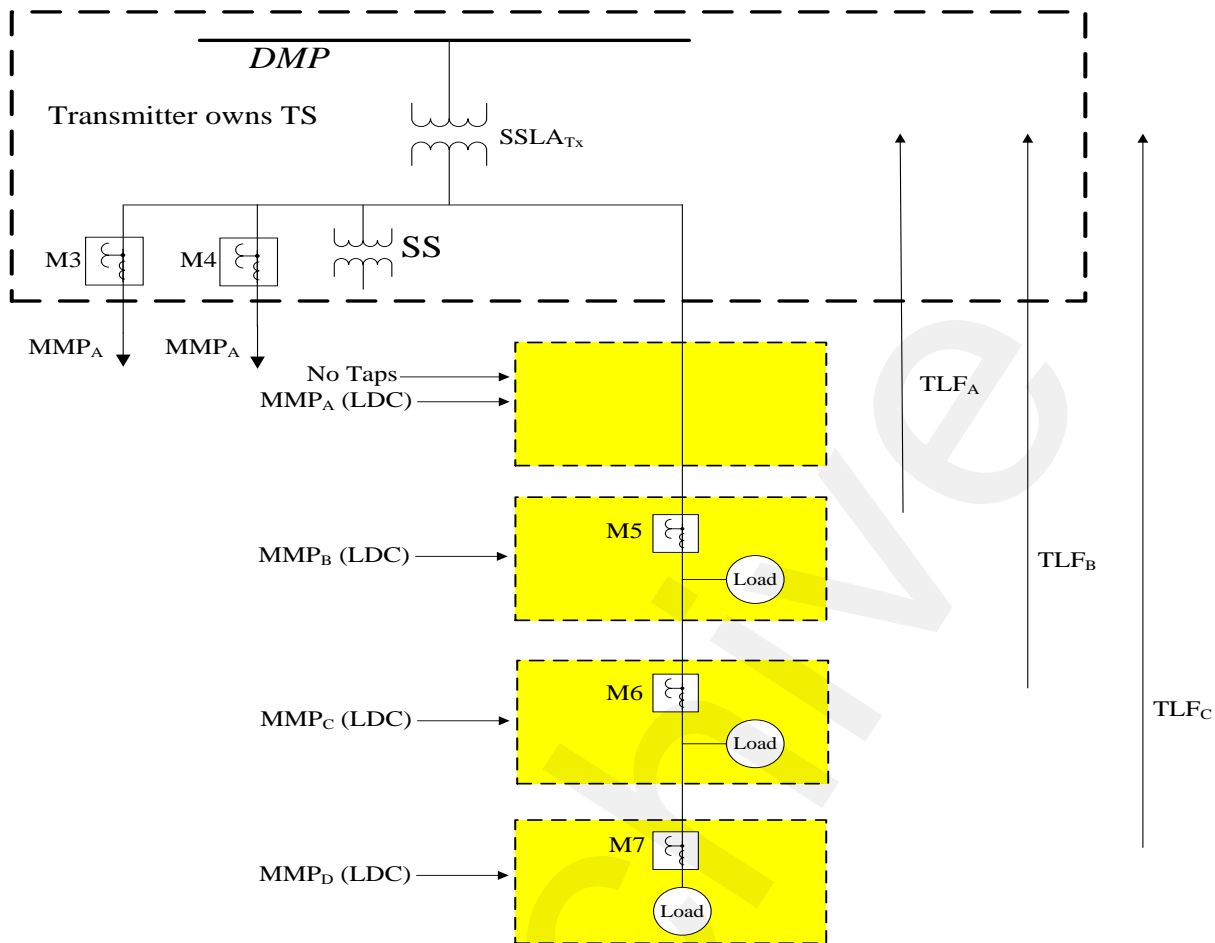
6b.1 Agreement on Losses

$$\begin{aligned}
 \text{MMP}_A \text{ TT} &= \text{M3.TLF}_A + \text{M4.TLF}_A + \text{M2}_A.\text{TLF}_A \\
 \text{MMP}_B \text{ Energy} &= \text{M3.TLF}_A + \text{M4.TLF}_A \text{ per } OEB \\
 \text{MMP}_C \text{ Energy} &= \text{M2}_A.\text{TLF}_A \text{ per } OEB
 \end{aligned}$$

Notes:

1. No SSLA calculation required
2. No *station service* metering required

7a. Multiple Embedded Distributors with taps



- MMP_A is directly connected to the bus inside the fence
- MMP_B , MMP_C and MMP_D are embedded
- MMP_A is a *transmission customer*

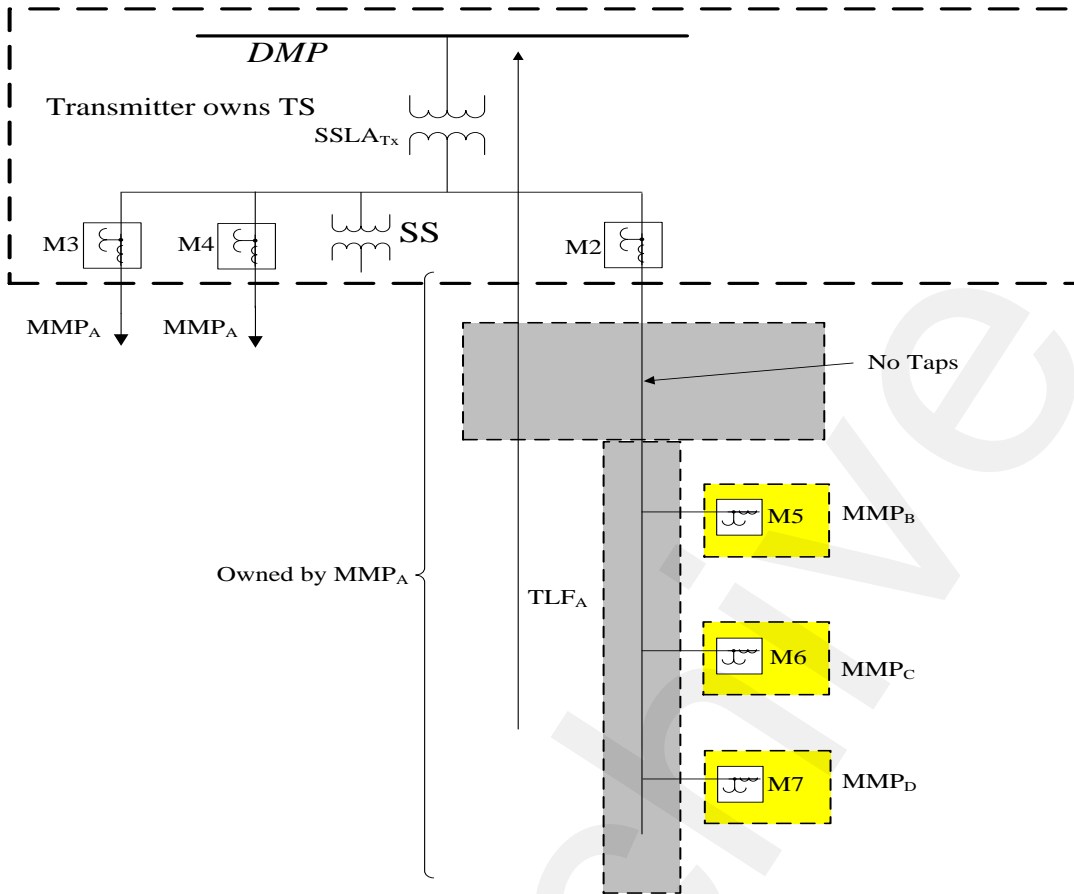
7a.1 No Agreement on Losses is required

MMP_A Energy	=	$M3+M4 + SS_Y+SSLA_Y$
MMP_A TT	=	$M3+M4 + M5.TLF_A+SS_Y+SSLA_Y$
MMP_B Energy	=	$M5.TLF_A - M6.TLF_B$ per <i>OEB</i>
MMP_C Energy	=	$M6.TLF_B - M7.TLF_C$ per <i>OEB</i>
MMP_D Energy	=	$M7.TLF_C$ per <i>OEB</i>

Notes:

1. MMP_A provides the loss calculation.

7b. Embedded Distributors in Parallel



- MMP_A is directly connected
- MMP_A is a *transmission customer*
- MMP_B, MMP_C and MMP_D are embedded

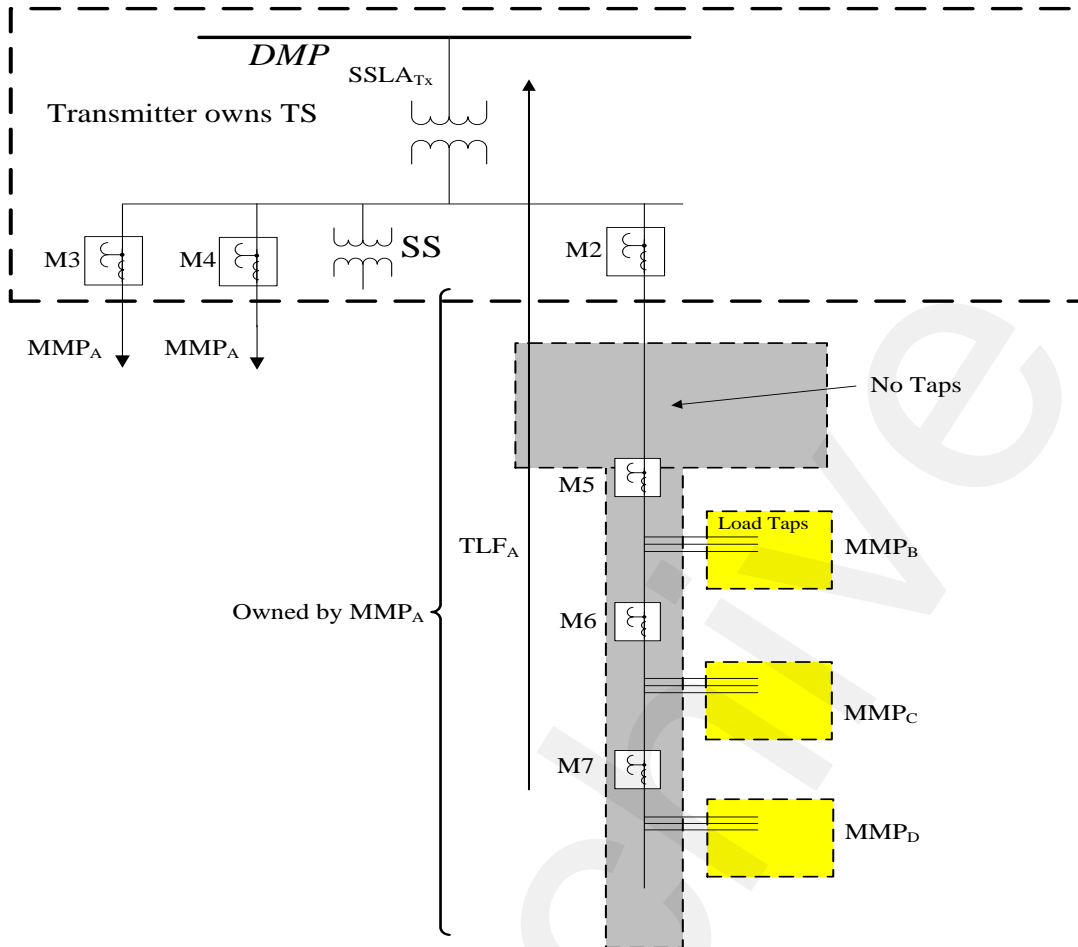
7b.1 No Agreement on Losses is required

$$\begin{aligned}
 \text{MMP}_A \text{ Energy} &= \text{M3} + \text{M4} + \text{M2} + \text{SS} + \text{SSLA}_{TX} - \text{M5} \cdot \text{TLF}_A - \text{M6} \cdot \text{TLF}_A - \text{M7} \cdot \text{TLF}_A \\
 \text{MMP}_A \text{ TT} &= \text{M3} + \text{M4} + \text{M2} + \text{SS} + \text{SSLA}_{TX} \\
 \text{MMP}_B \text{ Energy} &= \text{M5} \cdot \text{TLF}_A \text{ per } OEB \\
 \text{MMP}_C \text{ Energy} &= \text{M6} \cdot \text{TLF}_A \text{ per } OEB \\
 \text{MMP}_D \text{ Energy} &= \text{M7} \cdot \text{TLF}_A \text{ per } OEB
 \end{aligned}$$

Notes:

1. MMP_A provides the loss calculation.

7c. Embedded Distributors in Parallel (Meters Located Between LDC Taps)



- MMP_A is directly connected
- MMP_A is a *transmission customer*
- MMP_B , MMP_C and MMP_D are embedded

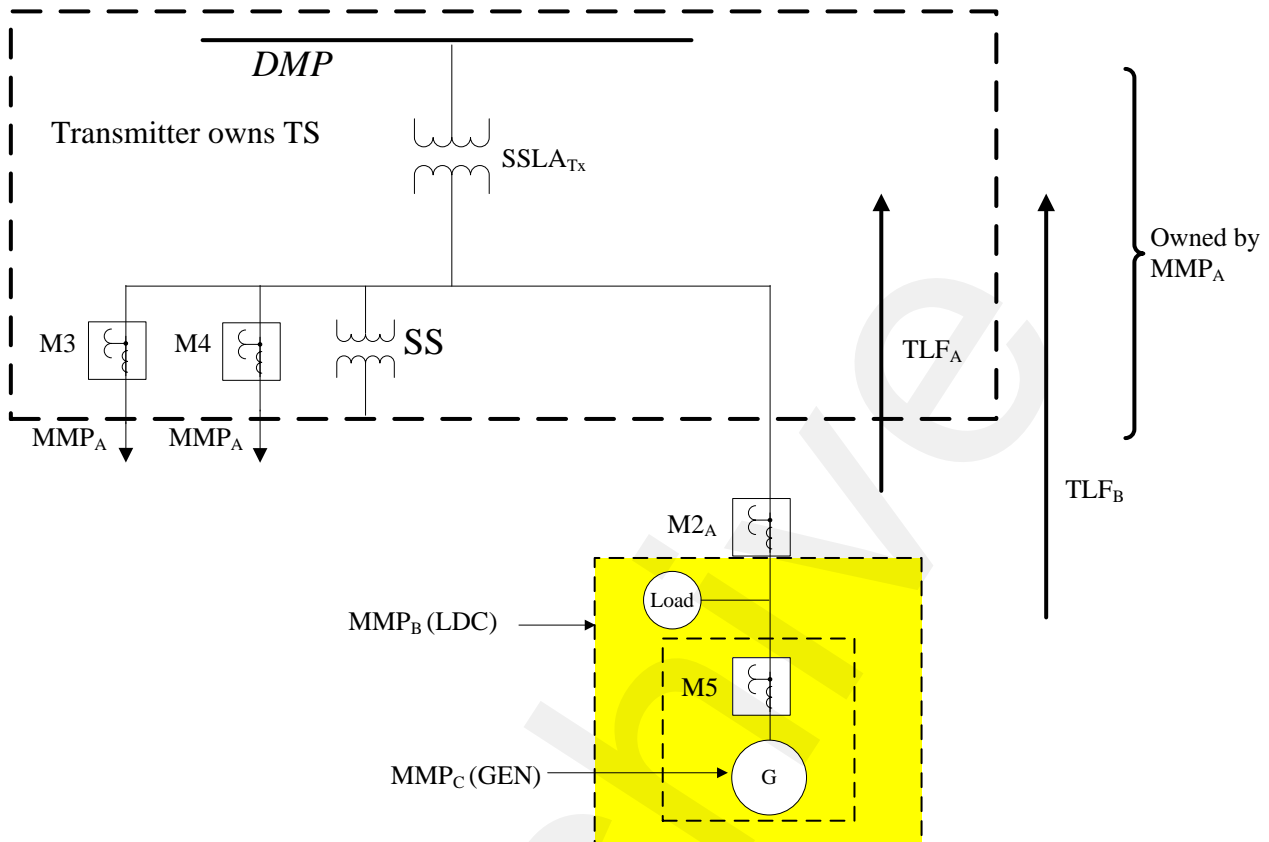
7c.1 No Agreement on Losses is required

MMP_A Energy	=	$M3+M4+M2+SS+SSLA_{Tx} - M5.TLF_A$	
MMP_A TT	=	$M3+M4+M2+SS+SSLA_{Tx}$	
MMP_B Energy	=	$M5.TLF_A - M6.TLF_A$	per <i>OEB</i>
MMP_C Energy	=	$M6.TLF_A - M7.TLF_A$	per <i>OEB</i>
MMP_D Energy	=	$M7.TLF_A$	per <i>OEB</i>

Notes:

1. MMP_A provides the loss calculation.

8a. Embedded Generator in an Embedded Distributor – Feeder Meters



- MMP_A is directly connected
- MMP_A is a *transmission customer*
- MMP_B , MMP_C and MMP_D are embedded

8a.1 No Agreement on Losses is required

MMP_A Energy	=	$M3+M4+SS_Y+SSLA_Y$	
MMP_A TT	=	Check the appropriate transmission rate schedule for details	
MMP_B Energy	=	$M2_A \cdot TLF_A - (M5C_{12} \cdot TLF_B + M5C_{34} \cdot LF)$	see note 2, 3 & 6
MMP_C Energy	=	$M5_{12} \cdot TLF_B$ (delivered channels 1 & 2) = $M5C_{12} \cdot TLF_B$	per <i>OEB</i>
	=	$M5_{34} \cdot LF$ (received channels 3 & 4) = $M5C_{34} \cdot LF$	see note 2 & 3
	=	$M5C_{12} \cdot TLF_B + M5C_{34} \cdot LF$	

Note:

1. The *embedded generator* is an *energy market participant*.
2. A default loss factor (LF) value of 1.0 will be used. Values other than 1.0 will be used if specified and agreed to by all parties.
3. $M5C_{12}$ and $M5C_{34}$ are direction dependent (ch 1 & 2 delivered, ch 3 & 4 received).

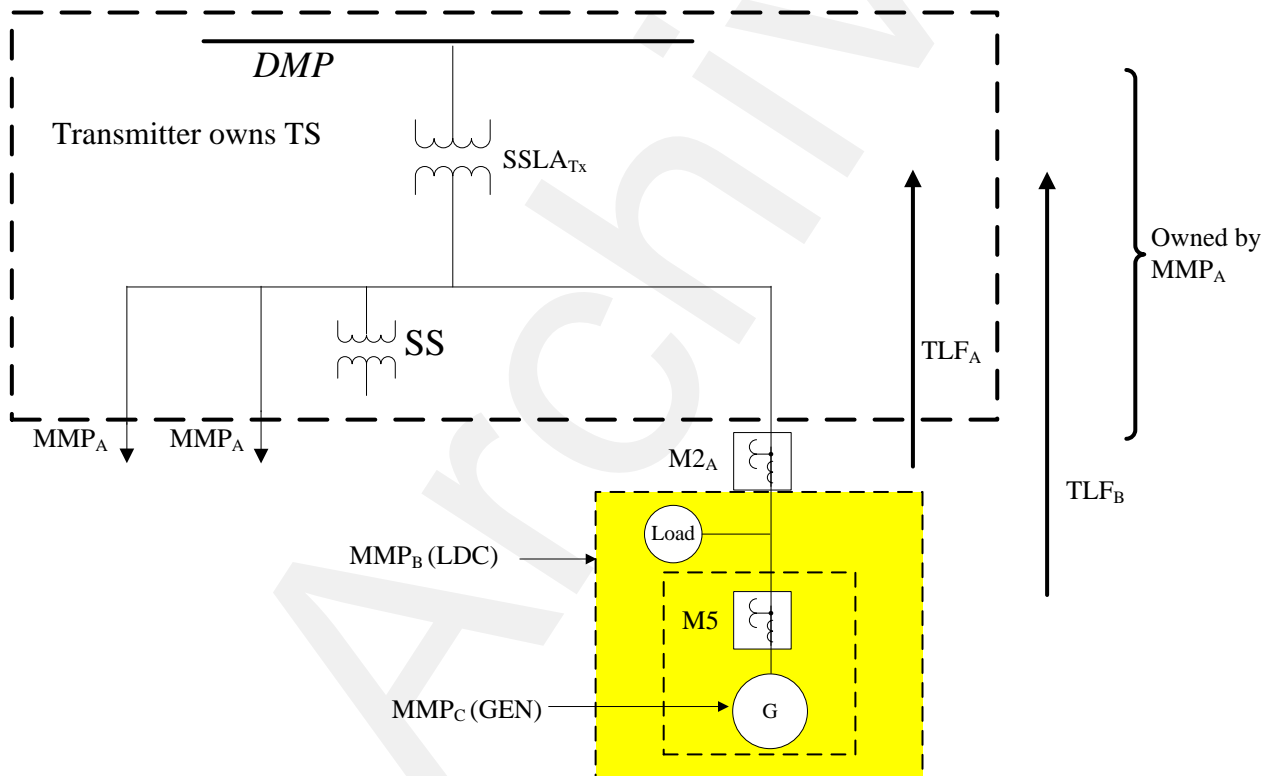
4. MMP_A provides the loss calculations.
5. MMP_A responsible for *station service* metering
6. If the *Generator* output is higher than MMP_B load, MMP_A should install feeder metering or agree with MMP_B the loss factor (LF1) to be applied to $M2_A C_{34}$ (Refer to example 8.b.2.). The *IESO* will not accept loss factors that negatively impact the Market.

Example of *transmission tariff settlement*:

Using Ontario Transmission Rate Schedules and assuming a non-renewable *generator* > 1 MW or a renewable *generator* > 2 MW

$$\begin{aligned}
 MMP_A \text{ TT network} &= M3 + M4 + SS_Y + SSLA_Y + M2_A \cdot TLF_A \\
 MMP_A \text{ TT connection} &= M3 + M4 + SS_Y + SSLA_Y + M2_A \cdot TLF_A + M5 C_{34} \cdot LF
 \end{aligned}$$

8b. Embedded Generator in an Embedded Distributor – Bus Meter



- MMP_A is directly connected
- MMP_A is a *transmission customer*
- MMP_B and MMP_C are embedded

8b.1 No Agreement between MMP_A and MMP_B is required if:

During normal operating conditions the load is greater than the *generator* output.

M2_A registers non-zero values on Ch # 1 and zero values on Ch # 3.

MMP _A Energy	=	M2+SSL _A -M2 _A .TLF _A	
MMP _A TT	=	Check the appropriate transmission rate schedule for details	
MMP _B Energy	=	M2 _A .TLF _A - (M5C ₁₂ .TLF _B + M5C ₃₄ .LF)	see note 4
MMP _C Energy	=	M5 ₁₂ .TLF _B (delivered channels 1 & 2) = M5C ₁₂ .TLF _B M5 ₃₄ . LF (for received channels 3 & 4) = M5C ₃₄ .LF = M5C ₁₂ .TLF _B + M5C ₃₄ .LF	per <i>OEB</i> see note 2

8b.2 An agreement between MMP_A and MMP_B is required if:

see note 3

During normal operating conditions the *generator* output is greater than the load.

M2_A registers zero values on Ch # 1 and non-zero values on Ch # 3.

MMP _A Energy	=	M2+SSL _A - (M2 _A C ₁₂ .TLF _A + M2 _A C ₃₄ .LF1)	see note 3
MMP _A TT	=	Check the appropriate transmission rate schedule for details	
MMP _B Energy	=	M2 _{A12} .TLF _A (delivered channels 1 & 2) = M2 _A C ₁₂ .TLF _A M2 _{A34} . LF ₁ (for received channels 3 & 4) = M2 _A C ₃₄ .LF ₁	see note 3
	=	(M2 _A C ₁₂ .TLF _A + M2 _A C ₃₄ .LF1) - (M5C ₁₂ .TLF _B + M5C ₃₄ .LF)	see note 4
MMP _C Energy	=	M5 ₁₂ .TLF _B (delivered channels 1 & 2) = M5C ₁₂ .TLF _B M5 ₃₄ . LF (received channels 3 & 4) = M5C ₃₄ .LF	per <i>OEB</i> see note 2 & 4
	=	M5C ₁₂ .TLF _B + M5C ₃₄ .LF	

Note:

1. The *embedded generator* is an *energy market* participant.
2. A default loss factor (LF) value of 1.0 will be used. Values other than 1.0 will be used if specified and agreed to by all parties.
3. Based on agreement, loss factor (LF₁) is applied. If an agreement does not exist, LF₁=TLF_A (Refer to example 8.a.1).
4. M5C₁₂ and M5C₃₄ are direction dependent (ch 1 & 2 delivered, ch 3 & 4 received).
5. MMP_A provides the loss calculations.
6. MMP_A responsible for *station service* metering

Example of *transmission tariff settlement*:

Using Ontario Transmission Rate Schedules and assuming a non-renewable *generator* > 1 MW or a renewable *generator* > 2 MW

MMP_A TT network =M2+SSLA

MMP_A TT connection =M2+SSLA+ M5C₃₄.LF

– End of Section –

Appendix E: Example of a Site Registration Report (SRR)

Site Registration Report [Search](#)

```

    graph LR
      DP[105522] --> SMS[105522E]
      SMS --> MP1[0200696080]
      SMS --> MP2[ZERO]
      SMS --> MP3[1000004400]
  
```

Legend: Delivery Point Summary Metering System Meter Point

Delivery point 105522 is associated with 105522E from Wed Mar 21 00:00:00 EST 2001 with no end date

Channel summary for 105522E

- 1) 5 minute, Summary channel, UOM 01, Power Flow DEL
- 2) 5 minute, Summary channel, UOM 03, Power Flow DEL
- 3) 5 minute, Summary channel, UOM 01, Power Flow REC
- 4) 5 minute, Summary channel, UOM 03, Power Flow REC

Detailed channel information for 105522

```

+ 100% of 105522E: Channel 1: Contribution DateRange Wed Mar 21 00:00:00 EST 2001 - no end date
  5 minute, Summary channel, UOM 01, Power Flow DEL

+ 100% of 0200696080: Channel 1: Contribution DateRange Wed Mar 21 00:00:00 EST 2001 - Mon Jun 30 23:59:59 EST 2003
  15 minute, S channel, UOM 01, Power Flow DEL
Losses:
  018 DateRange Sun Oct 01 00:00:00 EST 2000 - no end date
Parameters:
  Assumed Voltage: Assumed PF: DateRange Wed Apr 18 08:59:23 EST 2001 - no end date
CT/PT/Service Type:
  CT: 0 VI: 0 Service Type: DateRange Thu Jan 01 00:00:00 EST 1998 - Thu Feb 12 23:59:59 EST 2015

+ 100% of 1000004400: Channel 1: Contribution DateRange Tue Jul 01 00:00:00 EST 2003 - no end date
  5 minute, M channel, UOM 01, Power Flow DEL
Losses:
  E60 DateRange Tue Jul 01 00:00:00 EST 2003 - no end date
Parameters:
  Assumed Voltage: Assumed PF: DateRange Fri Jul 11 09:01:34 EST 2003 - no end date
CT/PT/Service Type:
  CT: 120 VI: 366 Service Type: D DateRange Wed Jun 25 09:18:00 EST 2003 - Sat Jan 31 23:59:59 EST 2015
  CT: VI: Service Type: D DateRange Sun Feb 01 00:00:00 EST 2015 - no end date

+ 100% of 105522E: Channel 2: Contribution DateRange Wed Mar 21 00:00:00 EST 2001 - no end date
  5 minute, Summary channel, UOM 03, Power Flow DEL

+ 100% of ZERO: Channel 2: Contribution DateRange Wed Mar 21 00:00:00 EST 2001 - Mon Jun 30 23:59:59 EST 2003
  5 minute, S channel, UOM 03, Power Flow DEL
Parameters:
  Assumed Voltage: Assumed PF: DateRange Wed Mar 20 15:36:20 EST 2002 - no end date
CT/PT/Service Type:
  CT: 0 VI: 0 Service Type: DateRange Thu Jan 01 00:00:00 EST 1998 - no end date

+ 100% of 1000004400: Channel 2: Contribution DateRange Tue Jul 01 00:00:00 EST 2003 - no end date
  5 minute, M channel, UOM 03, Power Flow DEL
Losses:
  E60 DateRange Tue Jul 01 00:00:00 EST 2003 - no end date
Parameters:
  Assumed Voltage: Assumed PF: DateRange Fri Jul 11 09:01:34 EST 2003 - no end date
CT/PT/Service Type:
  CT: 120 VI: 366 Service Type: D DateRange Wed Jun 25 09:18:00 EST 2003 - Sat Jan 31 23:59:59 EST 2015
  CT: VI: Service Type: D DateRange Sun Feb 01 00:00:00 EST 2015 - no end date

+ 100% of 105522E: Channel 3: Contribution DateRange Wed Mar 21 00:00:00 EST 2001 - no end date
  5 minute, Summary channel, UOM 01, Power Flow REC

+ 100% of ZERO: Channel 3: Contribution DateRange Wed Mar 21 00:00:00 EST 2001 - Mon Jun 30 23:59:59 EST 2003
  5 minute, S channel, UOM 01, Power Flow REC
Parameters:
  Assumed Voltage: Assumed PF: DateRange Wed Mar 20 15:36:20 EST 2002 - no end date
CT/PT/Service Type:
  CT: 0 VI: 0 Service Type: DateRange Thu Jan 01 00:00:00 EST 1998 - no end date

+ 100% of 1000004400: Channel 3: Contribution DateRange Tue Jul 01 00:00:00 EST 2003 - no end date
  5 minute, M channel, UOM 01, Power Flow REC
Losses:
  E60 DateRange Tue Jul 01 00:00:00 EST 2003 - no end date
Parameters:
  Assumed Voltage: Assumed PF: DateRange Fri Jul 11 09:01:34 EST 2003 - no end date
  
```

```

CT/PT/Service Type:
  CT: 120 VI: 366 Service Type: D DateRange Wed Jun 25 09:18:00 EST 2003 - Sat Jan 31 23:59:59 EST 2015
  CT: VI: Service Type: D DateRange Sun Feb 01 00:00:00 EST 2015 - no end date
+ 100% of 105522E: Channel 4: Contribution DateRange Wed Mar 21 00:00:00 EST 2001 - no end date
  5 minute, Summary channel, UOM 03, Power Flow REC
+ 100% of ZERO: Channel 4: Contribution DateRange Wed Mar 21 00:00:00 EST 2001 - Mon Jun 30 23:59:59 EST 2003
  5 minute, S channel, UOM 03, Power Flow REC
Parameters:
  Assumed Voltage: Assumed PF: DateRange Wed Mar 20 15:36:20 EST 2002 - no end date
CT/PT/Service Type:
  CT: 0 VI: 0 Service Type: DateRange Thu Jan 01 00:00:00 EST 1998 - no end date
+ 100% of 1000004400: Channel 4: Contribution DateRange Tue Jul 01 00:00:00 EST 2003 - no end date
  5 minute, M channel, UOM 03, Power Flow REC
Losses:
  E60 DateRange Tue Jul 01 00:00:00 EST 2003 - no end date
Parameters:
  Assumed Voltage: Assumed PF: DateRange Fri Jul 11 09:01:34 EST 2003 - no end date
CT/PT/Service Type:
  CT: 120 VI: 366 Service Type: D DateRange Wed Jun 25 09:18:00 EST 2003 - Sat Jan 31 23:59:59 EST 2015
  CT: VI: Service Type: D DateRange Sun Feb 01 00:00:00 EST 2015 - no end date

```

Loss code information

```

Loss Code 018
  Precedence 1, D28_(018) (Fixed Loss), 2000-10-01 00:00:00 - no end date, Del Factor 3.40%, Rec Factor 3.40%
Loss Code E60
  Precedence 1, ILF-CAMPBELLMINES_(E60) (Fixed Loss), 2003-07-01 00:00:00 - no end date, Del Factor 3.40%, Rec Factor 3.40%

```

Ratio Point information

Generated by Oracle Utilities on Thu Mar 26 14:04:33 EST 2015

1 Report Title

- The Site Registration Report is for *delivery point* 105522 that was generated by MDMS on Thursday March 26, 14:04:33 Eastern Standard Time 2015.

2 Meter Tree Picture

- *Meter* 00200696080 contributes to summary meter 105522E.
- *Meter* ZERO contributes to summary meter 105522E.
- *Meter* 1000004400 contributes to summary meter 105522E.
- THE summary meter 105522E contributes to *Delivery Point* 105522.

3 The *delivery point* associated to THE summary meter from a start date to an end date.

Delivery Point 105522 has THE summary meter 105522E contributing starting on Wednesday, March 21 at 00:00 hours Eastern Standard Time (EST) 2001 with no end date.

4 Channel Summary for THE summary meter.

- the makeup of The summary meter 105522E is as follows:

Listing of channels	ch1	ch2	ch3	ch4
Interval length	5 mins	5 mins	5 mins	5 mins
Type of meter	Summary	Summary	Summary	Summary
Unit of Measurement	kWh	kVARh	kWh	kVARh
Direction of Power Flow	Delivered	Delivered	Received	Received
Voltage Code (None)	no losses	no losses	no losses	no losses

- Assumed Voltage, Assumed PF, CT ratio, VT ratio and ServiceType (D=Delta, or W=Wye) since there is no Voltage Code the above is not printed.

5 Detailed Channel Information for THE Summary Meter

- THE summary meter 105522E of channel 1 with parameters; 5 minute intervals, is a summary meter, Unit of Measure 01 (kWh), Power Flow DEL (Delivered), no losses applied receives metering data contributions from:
 - meter* 0200696080 of channel 1 adds all of the *metering data* that started on Wednesday, March 21 at 00:00 hours (EST) 2001 and has Monday, June 30 at 23:59:59 EST 2015 for the end date. The *meter* consists of the following parameters; 15 minute intervals, is a Standalone (S) meter, Unit of Measure 01 (kWh), and Power Flow DEL (Delivered). Losses with a voltage code 018 starting Sunday, October 01 00:00:00 EST 2000 and no end date, no assumed voltage or assumed power factor (PF), a current transformer (CT) ratio of 0, a voltage transformer (VT) ratio of 0 with a starting date of Thursday, January 01 00:00:00 EST 1998 and an end date of Thursday, February 12 23:59:59 EST 2015.
 - meter* 1000004400 of channel 1 adds all of the *metering data* that started on Tuesday, July 01 at 00:00 hours (EST) 2003 and has no end date. The *meter* consists of the following parameters; 5 minute intervals, is a Main (M) meter, Unit of Measure 01 (kWh), and Power Flow DEL (Delivered). Losses with a voltage code E60 starting Tuesday, July 01 00:00:00 EST 2003 and no end date, no assumed voltage or assumed power factor (PF), a current transformer (CT) ratio of 120, a voltage transformer (VT) ratio of 366, and a service type delta (D) with a starting date of Wednesday, June 25 09:18:00 EST 2003 and an end date of Saturday, January 31 23:59:59 EST 2015. A CT ratio undefined, a VT ratio undefined, and a service type D with a starting date of Sunday, February 01 00:00:00 EST 2015 and no end date.
- THE summary meter 105522E of channel 2 with parameters; 5 minute intervals, is a summary meter, Unit of Measure 03 (kVARh), Power Flow DEL (Delivered), no losses applied receives *metering data* from:
 - Same logic as described for channel 1 with the addition of the ZERO meter channel because meter 0200696080 only has a single channel 1
- THE summary meter 105522E of channel 3 with parameters; 5 minute intervals, is a summary meter, Unit of Measure 01 (kWh), Power Flow REC (Received), no losses applied receives *metering data* from:
 - Same logic as described for channel 1 with the addition of the ZERO meter channel because meter 0200696080 only has a single channel 1

- THE summary meter 105522E of channel 4 with parameters; 5 minute intervals, is a summary meter, , Unit of Measure 03 (kVARh), Power Flow REC (Received), no losses applied receives *metering data* from:

Same logic as described for channel 1 with the addition of the ZERO meter channel because meter 0200696080 only has a single 1

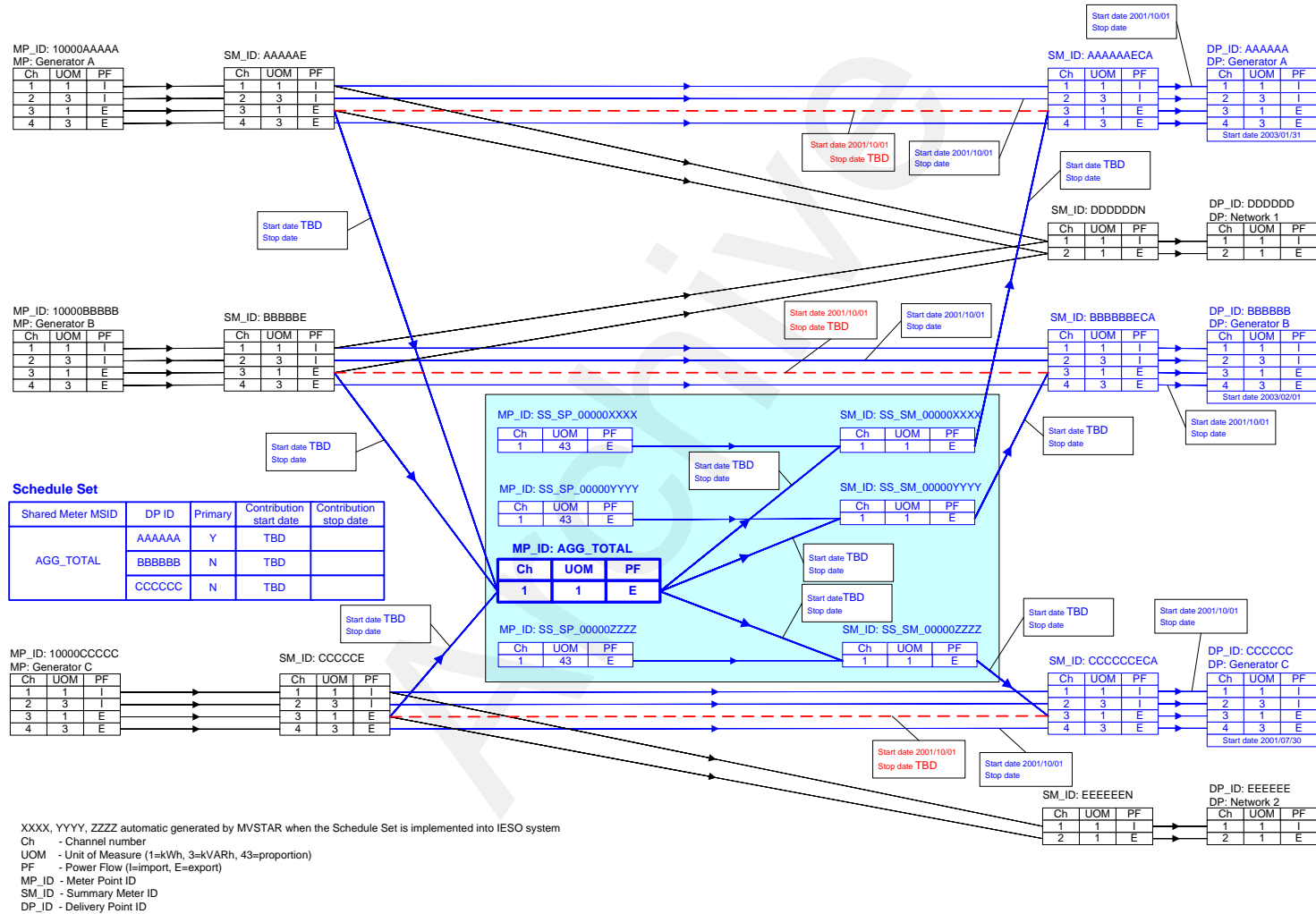
6 Voltage Code Information

Voltage Code 018 uses loss factor D28 that is a TLF (fixed loss) with a start date of 2000-10-01 at 00:00 hours with no end date. The Delivered factor is 3.4% and the Received factor is 3.4% which reflects the TLF of 0.034 from the “Totalization Table Form”.

Voltage Code E60 uses loss factor TLF-CAMPBELLMINES that is a TLF (fixed loss) with a start date of 2003-07-01 at 00:00 hours with no end date. The Delivered factor is 3.4% and the Received factor is 3.4% which reflects the TLF of 0.034 from the “Totalization Table Form”.

– End of Section –

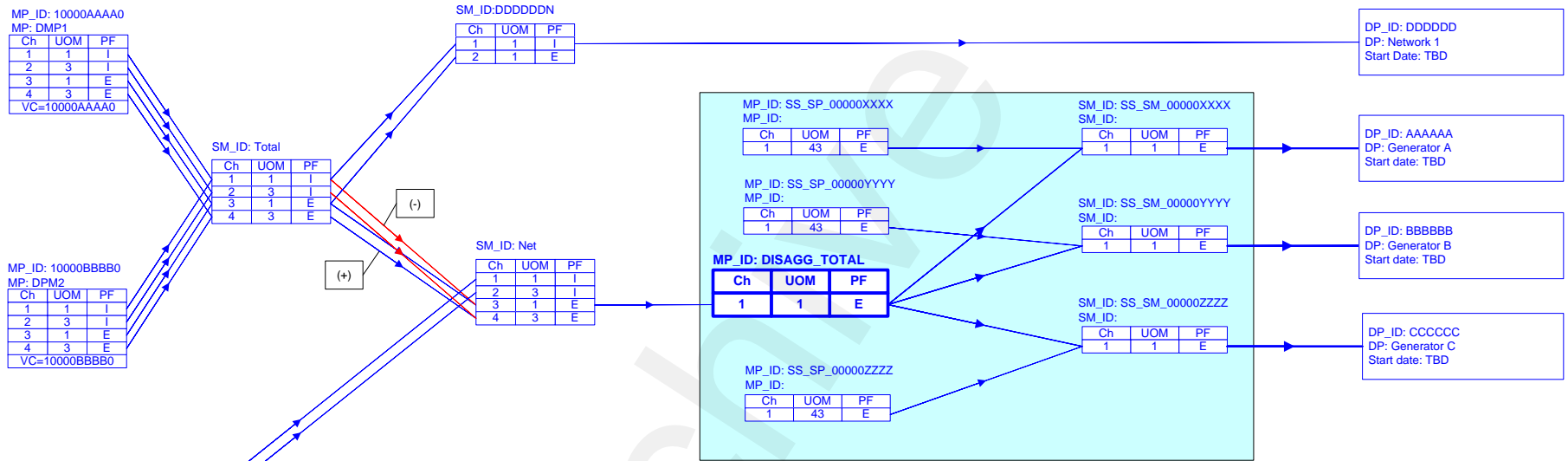
Appendix F: Example of a Compliance Aggregation Model



- End of Section -

Archive

Appendix G: Example of a Meter Disaggregation Model



XXXX, YYYY, ZZZZ automatic generated by MVSTAR when the Schedule Set is implemented into IESO system
 Ch - Channel number
 UOM - Unit of Measure (1=kWh, 3=kVARh, 43=proportion)
 PF - Power Flow (I=import, E=export)
 MP_ID - Meter Point ID
 SM_ID - Summary Meter ID
 DP_ID - Delivery Point ID
 VC - Voltage Code

Schedule Set

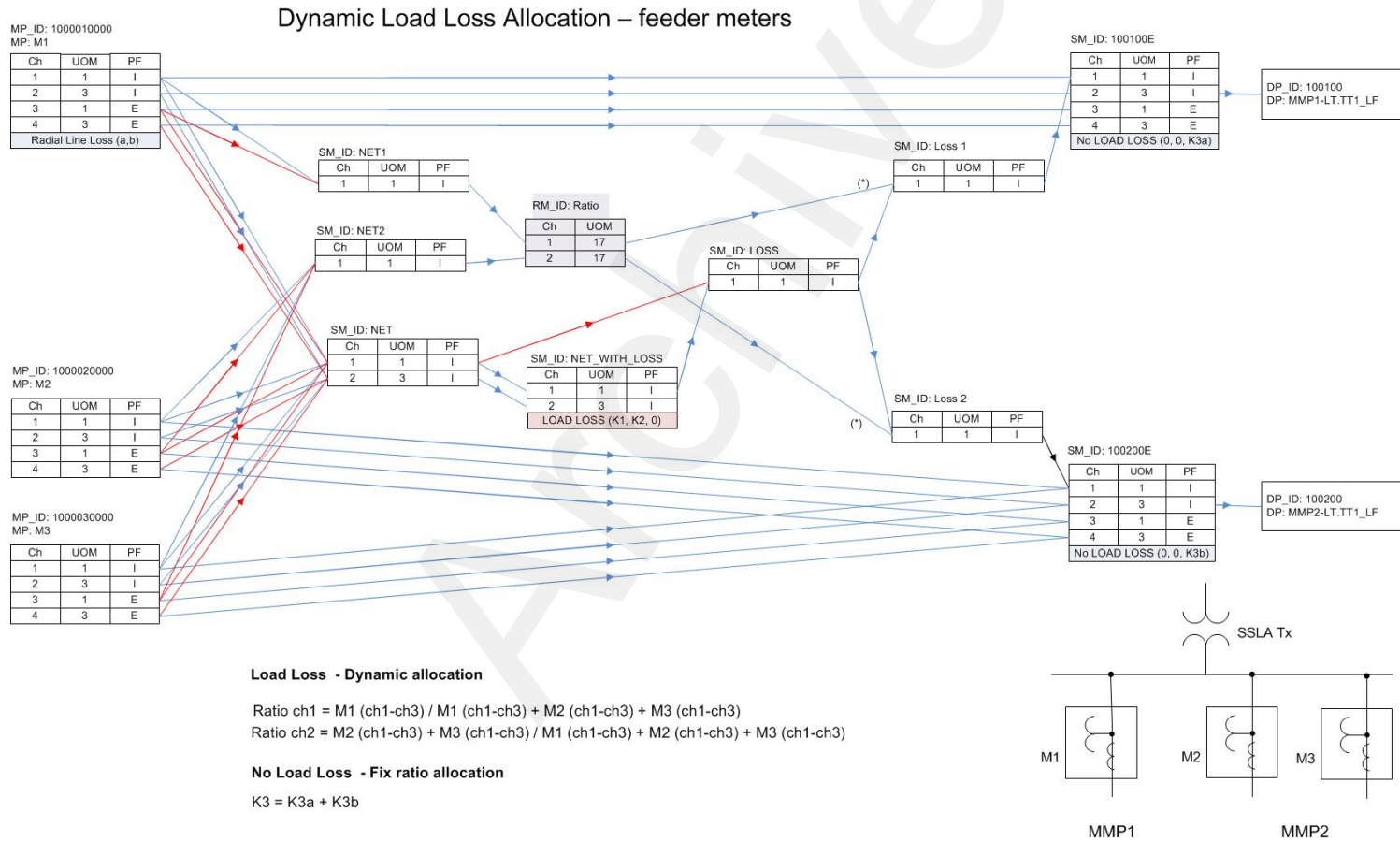
Shared Meter MSID	DP ID	Primary	Contribution start date	Contribution stop date
DISAGG_TOTAL	AAAAAA	Y	TBD	
	BBBBBB	N	TBD	
	CCCCCC	N	TBD	

– End of Section –

Archive

Appendix H: Loss Dynamic Allocation - models and totalization tables

a. Feeder meters





TOTALIZATION TABLE FORM

Facility Name Transformer TS
Effective Date TBD
MSP ID
Prepared By

MMP Name	Breaker Ratio		T1
	MMP Feeders	Total Feeders	
MMP1	1	3	
MMP2	2		

Non-metered Station Service (kW) 0

Factor	k1	k2	k3
T1 total	0.0373	0.0468	112.73
MMP1	Dynamic	Dynamic	37.5766
MMP2	Dynamic	Dynamic	75.1533

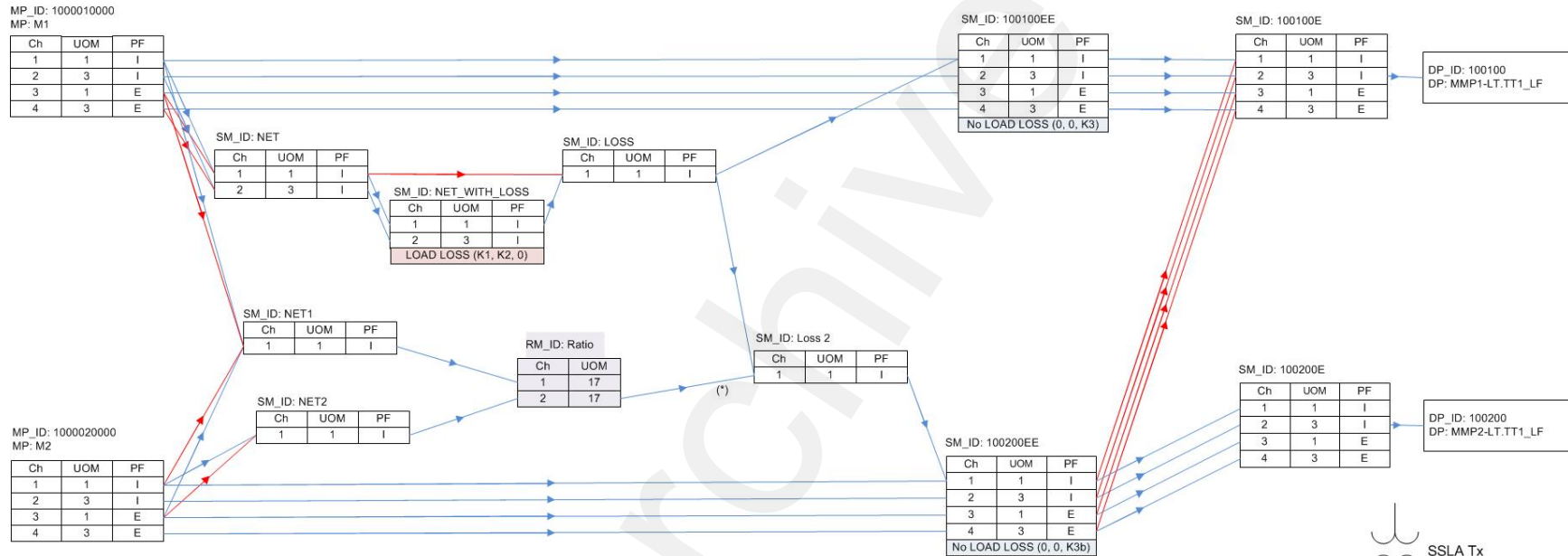
A. ENERGY MARKET

MMP #	DPID	Summary 1	Summary 2	Meter Point ID	Channel No.	Operator (+ or -)	LoRM	Energy Flow Direction	Description of Measured Circuit	Ratio (3 dec.)	MEC	Assumed Voltage	Assumed P.F.	Service Type	CT Ratio	PT Ratio	Transformation		Radial Line		TLF										
																	a(V ²)	b(f ²)	e(V ²)	f(f ²)		k ₁	k ₂	k ₃	k ₁	k ₂	k ₃				
1	100100	100100E		1000010000	1	+	1	del	M1		0.0	120	0.95	WYE	80	140			0	0.1463	T1Dynamic	T1Dynamic	37.5766								
					2	+	3	del																							
					3	+	1	rec																							
					4	+	3	rec																							
2	100200	100200E		1000020000	1	+	1	del	M2		0.0										T1Dynamic	T1Dynamic	75.1533								
					2	+	3	del																							
					3	+	1	rec																							
					4	+	1	rec																							
				1000030000	1	+	1	del	M3		0.0										T1Dynamic	T1Dynamic	75.1533								
					2	+	3	del																							
					3	+	1	rec																							
					4	+	3	rec																							

- Note 1. Apportioning of T1 Transformation No Load Loss based on load serving breakers (1/3 th for MMP1 and 2/3 for MMP2).
- 2. Apportioning of T1 Transformation Load Loss based on dynamic allocation between MMP1 (MPID 1000010000) and MMP2 (MPID 1000020000 and MPID 1000030000).
- 3. Radial Line loss coefficients are applied to M1 meter.

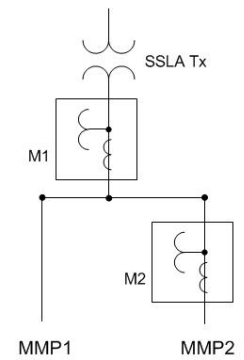
b. Bus and feeder meters

Dynamic Load Loss Allocation – bus and feeder meters



Load Loss - Dynamic allocation
 Ratio ch1 = $M1 (ch1-ch3) - M2 (ch1-ch3) / M1 (ch1-ch3)$
 Ratio ch2 = $M2 (ch1-ch3) / M1 (ch1-ch3)$

No Load Loss - Fix ratio allocation
 $K3 = K3a + K3b$





TOTALIZATION TABLE FORM

Facility Name Transformer TS
Effective Date TBD
MSP ID
Prepared By

MMP Name	Breaker Ratio	
	MMP Feeders	Total Feeders
MMP1	1	2
MMP2	1	

Non-metered Station Service (kW) _____ 0

Factor	k1	k2	k3
T1total	0.0373	0.0468	112.73
MMP1	Dynamic	Dynamic	56.3650
MMP2	Dynamic	Dynamic	56.3650

A. ENERGY MARKET

MMP #	DPID	Summary 1	Summary 2	Meter Point ID	Channel No.	Operator (+ or -)	UoIM	Energy Flow	Description of Measured Circuit	Ratio (3 dec.)	MEC	Assumed Voltage	Assumed P.F.	Service Type	CT Ratio	PT Ratio	Transformation		Radial Line		Transformation			Radial Line			TLF								
																	a(V ²)	b(I ²)	e(V ²)	f(I ²)	k ₁	k ₂	k ₃	k ₁	k ₂	k ₃									
1	100100	100100E	100100EE	1000010000	1	+	1	del	M1		0.0																								
					2	+	3	del																											
					3	+	1	rec																											
					4	+	3	rec																											
		2	100200	100200E	100200EE	1000020000	1	-	1	del	M2		0.0												T1Dynamic	T1Dynamic	56.365								
							2	-	3	del																									
							3	-	1	rec																									
							4	-	1	rec																									

- Note 1. Apportioning of T1 Transformation No Load Loss based on load serving breakers (1/2 th for MMP1 and 1/2 for MMP2).
- Note 2. Apportioning of T1 Transformation Load Loss based on dynamic allocation between MMP1 (MPID 1000010000) and MMP2 (MPID 1000020000).

- End of Section -

References

Document ID	Document Title
MDP_RUL_0002	Market Rules for the Ontario Electricity Market
MDP_PRO_0016	Market Manual 1: Market Entry, Maintenance and Exit, Part 1.2: Facility Registration, Maintenance and De-Registration
MDP_PRO_0017	Market Manual 2: Market Administration, Part 2.1: Dispute Resolution
MDP_MAN_0003	Market Manual 3: Metering, Part 3.0: Metering Overview
MDP_PRO_0013	Market Manual 3: Metering, Part 3.2: Meter Point Registration and Maintenance
MDP_PRO_0010	Market Manual 3: Metering, Part 3.4: Measurement Error Correction
MDP_PRO_0011	Market Manual 3: Metering, Part 3.5: Site-Specific Loss Adjustment
MDP_PRO_0012	Market Manual 3: Metering, Part 3.6: Conceptual Drawing Review
IMP_PRO_0057	Market Manual 3: Metering, Part 3.8: Creating and Maintaining Delivery Point Relationships
IMP_PRO_0034	Market Manual 4: Market Operations, Part 4.3: Real-Time Scheduling of the Physical Markets

– End of Document –